

STAINLESS STEEL WORKTABLES
**FHFSF-SERIES— FLAT TOP FULLY ENCLOSED WORKTABLE W/
 HINGED DOORS, UNDERSHELF, & INTERMEDIATE SHELF**

PROJECT#: _____

ITEM# _____

MODEL# _____

SPECIFICATIONS:

ECONOMY— EFHSF-Series: 400 Series Stainless Top, 400 Series Stainless Body & 400 Series Stainless Undershelf

TOP: 16 GA.
400 Series Stainless

SHELVES: 18 GA.
400 Series Stainless

BODY & DOORS: 18 GA.
400 Series Stainless

LEGS: 1 1/2" Square
Tubular Stainless Steel

STANDARD— SFHSF-Series: 300 Series Stainless Top, 300 Series Stainless Body & 300 Series Stainless Undershelf

TOP: 16 GA.
300 Series Stainless

SHELVES: 18 GA.
300 Series Stainless

BODY & DOORS: 18 GA.
300 Series Stainless

LEGS: 1 1/2" Square
Tubular Stainless Steel

HEAVY DUTY— HFHSF-Series: 300 Series Stainless Top, 300 Series Stainless Body & 300 Series Stainless Undershelf

TOP: 14 GA.
300 Series Stainless

SHELVES: 16 GA.
300 Series Stainless

BODY & DOORS: 18 GA.
300 Series Stainless

LEGS: 1 1/2" Square
Tubular Stainless Steel

CONSTRUCTION:

- ◆ All Table Connection Points Fully Welded for Maximum Rigidity and Long Life
- ◆ S/S Adjustable Bullet Feet
- ◆ Sound Deadening Between Top and Reinforcing Channel
- ◆ Hinged Doors are Double Pan Constructed for Maximum Rigidity
- ◆ Hinges are Offset Lift-Off/Self-Closing Type
- ◆ Offsets on Body Ends for Flush Fit
- ◆ S/S Undershelf and Intermediate Shelf Welded to Legs
- ◆ Table is Polished to #3 Finish
- ◆ Working Height 35" to 36 1/4"

ECONOMY - EFHSF - SERIES						
24" WIDE	QTY	30" WIDE	QTY	36" WIDE	QTY	LENGTH (INCHES)
EFHSF-2424		EFHSF-3024		EFHSF-3624		24
EFHSF-2430		EFHSF-3030		EFHSF-3630		30
EFHSF-2436		EFHSF-3036		EFHSF-3636		36
EFHSF-2442		EFHSF-3042		EFHSF-3642		42
EFHSF-2448		EFHSF-3048		EFHSF-3648		48
EFHSF-2454		EFHSF-3054		EFHSF-3654		54
EFHSF-2460		EFHSF-3060		EFHSF-3660		60
EFHSF-2466		EFHSF-3066		EFHSF-3666		66
EFHSF-2472		EFHSF-3072		EFHSF-3672		72
EFHSF-2478		EFHSF-3078		EFHSF-3678		78
EFHSF-2484		EFHSF-3084		EFHSF-3684		84
EFHSF-2490		EFHSF-3090		EFHSF-3690		90
EFHSF-2496		EFHSF-3096		EFHSF-3696		96
EFHSF-24102		EFHSF-30102		EFHSF-36102		102
EFHSF-24108		EFHSF-30108		EFHSF-36108		108
EFHSF-24114		EFHSF-30114		EFHSF-36114		114
EFHSF-24120		EFHSF-30120		EFHSF-36120		120

STANDARD - SFHSF - SERIES						
24" WIDE	QTY	30" WIDE	QTY	36" WIDE	QTY	LENGTH (INCHES)
SFHSF-2424		SFHSF-3024		SFHSF-3624		24
SFHSF-2430		SFHSF-3030		SFHSF-3630		30
SFHSF-2436		SFHSF-3036		SFHSF-3636		36
SFHSF-2442		SFHSF-3042		SFHSF-3642		42
SFHSF-2448		SFHSF-3048		SFHSF-3648		48
SFHSF-2454		SFHSF-3054		SFHSF-3654		54
SFHSF-2460		SFHSF-3060		SFHSF-3660		60
SFHSF-2466		SFHSF-3066		SFHSF-3666		66
SFHSF-2472		SFHSF-3072		SFHSF-3672		72
SFHSF-2478		SFHSF-3078		SFHSF-3678		78
SFHSF-2484		SFHSF-3084		SFHSF-3684		84
SFHSF-2490		SFHSF-3090		SFHSF-3690		90
SFHSF-2496		SFHSF-3096		SFHSF-3696		96
SFHSF-24102		SFHSF-30102		SFHSF-36102		102
SFHSF-24108		SFHSF-30108		SFHSF-36108		108
SFHSF-24114		SFHSF-30114		SFHSF-36114		114
SFHSF-24120		SFHSF-30120		SFHSF-36120		120

HEAVY DUTY - HFHSF - SERIES						
24" WIDE	QTY	30" WIDE	QTY	36" WIDE	QTY	LENGTH (INCHES)
HFHSF-2424		HFHSF-3024		HFHSF-3624		24
HFHSF-2430		HFHSF-3030		HFHSF-3630		30
HFHSF-2436		HFHSF-3036		HFHSF-3636		36
HFHSF-2442		HFHSF-3042		HFHSF-3642		42
HFHSF-2448		HFHSF-3048		HFHSF-3648		48
HFHSF-2454		HFHSF-3054		HFHSF-3654		54
HFHSF-2460		HFHSF-3060		HFHSF-3660		60
HFHSF-2466		HFHSF-3066		HFHSF-3666		66
HFHSF-2472		HFHSF-3072		HFHSF-3672		72
HFHSF-2478		HFHSF-3078		HFHSF-3678		78
HFHSF-2484		HFHSF-3084		HFHSF-3684		84
HFHSF-2490		HFHSF-3090		HFHSF-3690		90
HFHSF-2496		HFHSF-3096		HFHSF-3696		96
HFHSF-24102		HFHSF-30102		HFHSF-36102		102
HFHSF-24108		HFHSF-30108		HFHSF-36108		108
HFHSF-24114		HFHSF-30114		HFHSF-36114		114
HFHSF-24120		HFHSF-30120		HFHSF-36120		120

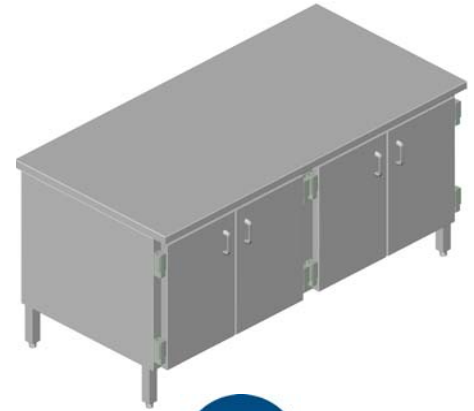
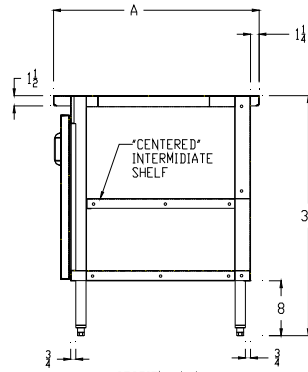
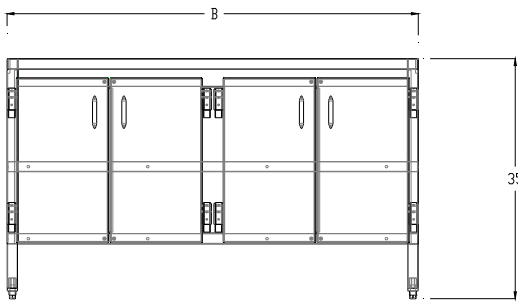
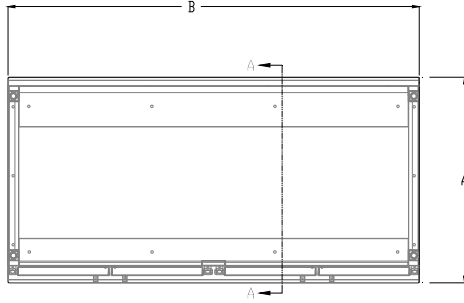
STAINLESS STEEL WORKTABLES

FHSF-SERIES — FLAT TOP FULLY ENCLOSED WORKTABLE W/ HINGED DOORS, UNDERSHELF, & INTERMEDIATE SHELF

PROJECT#: _____

ITEM# _____

MODEL# _____



- ◆ 35" Working Height is with Adj. Bullet Feet in Shortest Position
- ◆ Tables At or Above 78" Will Require (3) Sets of Legs.

A WIDTH	B LENGTH	EFHSF - SERIES 16 GA. 400 SERIES S/S TOP & 18 GA. 400 SERIES S/S UNDERSHELF	SFHSF - SERIES 16 GA. 300 SERIES S/S TOP & 18 GA. 300 SERIES S/S UNDERSHELF	HFHSF - SERIES 14 GA. 300 SERIES S/S TOP & 16 GA. 300 SERIES S/S UNDERSHELF	#Of Legs	Product Weight (lbs)
24" WIDE						
24	24	EFHSF-2424	SFHSF-2424	HFHSF-2424	4	96
24	30	EFHSF-2430	SFHSF-2430	HFHSF-2430	4	118
24	36	EFHSF-2436	SFHSF-2436	HFHSF-2436	4	139
24	48	EFHSF-2448	SFHSF-2448	HFHSF-2448	4	166
24	60	EFHSF-2460	SFHSF-2460	HFHSF-2460	4	194
24	72	EFHSF-2472	SFHSF-2472	HFHSF-2472	4	222
24	84	EFHSF-2484	SFHSF-2484	HFHSF-2484	6	249
24	96	EFHSF-2496	SFHSF-2496	HFHSF-2496	6	277
24	108	EFHSF-24108	SFHSF-24108	HFHSF-24108	6	304
24	120	EFHSF-24120	SFHSF-24120	HFHSF-24120	6	332
30" WIDE						
30	24	EFHSF-3024	SFHSF-3024	HFHSF-3024	4	89
30	30	EFHSF-3030	SFHSF-3030	HFHSF-3030	4	113
30	36	EFHSF-3036	SFHSF-3036	HFHSF-3036	4	136
30	48	EFHSF-3048	SFHSF-3048	HFHSF-3048	4	165
30	60	EFHSF-3060	SFHSF-3060	HFHSF-3060	4	195
30	72	EFHSF-3072	SFHSF-3072	HFHSF-3072	4	225
30	84	EFHSF-3084	SFHSF-3084	HFHSF-3084	6	254
30	96	EFHSF-3096	SFHSF-3096	HFHSF-3096	6	284
30	108	EFHSF-30108	SFHSF-30108	HFHSF-30108	6	313
30	120	EFHSF-30120	SFHSF-30120	HFHSF-30120	6	343
36" WIDE						
36	24	EFHSF-3624	SFHSF-3624	HFHSF-3624	4	114
36	30	EFHSF-3630	SFHSF-3630	HFHSF-3630	4	141
36	36	EFHSF-3636	SFHSF-3636	HFHSF-3636	4	167
36	48	EFHSF-3648	SFHSF-3648	HFHSF-3648	4	199
36	60	EFHSF-3660	SFHSF-3660	HFHSF-3660	4	232
36	72	EFHSF-3672	SFHSF-3672	HFHSF-3672	4	265
36	84	EFHSF-3684	SFHSF-3684	HFHSF-3684	6	297
36	96	EFHSF-3696	SFHSF-3696	HFHSF-3696	6	330
36	108	EFHSF-36108	SFHSF-36108	HFHSF-36108	6	362
36	120	EFHSF-36120	SFHSF-36120	HFHSF-36120	6	395