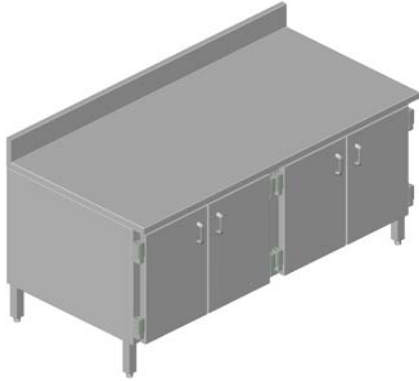


STAINLESS STEEL WORKTABLES
EFHSF2-SERIES— FULLY ENCLOSED WORKTABLE W/ BACKSPLASH,
HINGED DOORS, UNDERSHELF, & INTERMEDIATE SHELF



PROJECT#: _____

ITEM# _____

MODEL# _____

SPECIFICATIONS:

ECONOMY— EFHSF2-Series: 400 Series Stainless Top, 400 Series Stainless Body & 400 Series Stainless Undershelf

TOP: 16 GA.
400 Series Stainless

SHELVES: 18 GA.
400 Series Stainless

BODY & DOORS: 18 GA.
400 Series Stainless

LEGS: 1 1/2" Square
Tubular Stainless Steel

STANDARD— SFHSF2-Series: 300 Series Stainless Top, 300 Series Stainless Body & 300 Series Stainless Undershelf

TOP: 16 GA.
300 Series Stainless

SHELVES: 18 GA.
300 Series Stainless

BODY & DOORS: 18 GA.
300 Series Stainless

LEGS: 1 1/2" Square
Tubular Stainless Steel

HEAVY DUTY— HFHSF2-Series: 300 Series Stainless Top, 300 Series Stainless Body & 300 Series Stainless Undershelf

TOP: 14 GA.
300 Series Stainless

SHELVES: 16 GA.
300 Series Stainless

BODY & DOORS: 18 GA.
300 Series Stainless

LEGS: 1 1/2" Square
Tubular Stainless Steel

CONSTRUCTION:

- ◆ All Table Connection Points Fully Welded for Maximum Rigidity and Long Life
- ◆ S/S Adjustable Bullet Feet
- ◆ Sound Deadening Between Top and Reinforcing Channel
- ◆ Hinged Doors are Double Pan Constructed for Maximum Rigidity
- ◆ Hinges are Offset Lift-Off/Self-Closing Type
- ◆ Offsets on Body Ends for Flush Fit
- ◆ S/S Undershelf & Intermediate Shelf Welded to Legs
- ◆ Table is Polished to #3 Finish
- ◆ Working Height 35" to 36 1/4"

ECONOMY - EFHSF2 - SERIES						
24" WIDE	QTY	30" WIDE	QTY	36" WIDE	QTY	LENGTH (INCHES)
EFHSF2-2424		EFHSF2-3024		EFHSF2-3624		24
EFHSF2-2430		EFHSF2-3030		EFHSF2-3630		30
EFHSF2-2436		EFHSF2-3036		EFHSF2-3636		36
EFHSF2-2442		EFHSF2-3042		EFHSF2-3642		42
EFHSF2-2448		EFHSF2-3048		EFHSF2-3648		48
EFHSF2-2454		EFHSF2-3054		EFHSF2-3654		54
EFHSF2-2460		EFHSF2-3060		EFHSF2-3660		60
EFHSF2-2466		EFHSF2-3066		EFHSF2-3666		66
EFHSF2-2472		EFHSF2-3072		EFHSF2-3672		72
EFHSF2-2478		EFHSF2-3078		EFHSF2-3678		78
EFHSF2-2484		EFHSF2-3084		EFHSF2-3684		84
EFHSF2-2490		EFHSF2-3090		EFHSF2-3690		90
EFHSF2-2496		EFHSF2-3096		EFHSF2-3696		96
EFHSF2-24102		EFHSF2-30102		EFHSF2-36102		102
EFHSF2-24108		EFHSF2-30108		EFHSF2-36108		108
EFHSF2-24114		EFHSF2-30114		EFHSF2-36114		114
EFHSF2-24120		EFHSF2-30120		EFHSF2-36120		120

STANDARD - SFHSF2 - SERIES						
24" WIDE	QTY	30" WIDE	QTY	36" WIDE	QTY	LENGTH (INCHES)
SFHSF2-2424		SFHSF2-3024		SFHSF2-3624		24
SFHSF2-2430		SFHSF2-3030		SFHSF2-3630		30
SFHSF2-2436		SFHSF2-3036		SFHSF2-3636		36
SFHSF2-2442		SFHSF2-3042		SFHSF2-3642		42
SFHSF2-2448		SFHSF2-3048		SFHSF2-3648		48
SFHSF2-2454		SFHSF2-3054		SFHSF2-3654		54
SFHSF2-2460		SFHSF2-3060		SFHSF2-3660		60
SFHSF2-2466		SFHSF2-3066		SFHSF2-3666		66
SFHSF2-2472		SFHSF2-3072		SFHSF2-3672		72
SFHSF2-2478		SFHSF2-3078		SFHSF2-3678		78
SFHSF2-2484		SFHSF2-3084		SFHSF2-3684		84
SFHSF2-2490		SFHSF2-3090		SFHSF2-3690		90
SFHSF2-2496		SFHSF2-3096		SFHSF2-3696		96
SFHSF2-24102		SFHSF2-30102		SFHSF2-36102		102
SFHSF2-24108		SFHSF2-30108		SFHSF2-36108		108
SFHSF2-24114		SFHSF2-30114		SFHSF2-36114		114
SFHSF2-24120		SFHSF2-30120		SFHSF2-36120		120

HEAVY DUTY - HFHSF2 - SERIES						
24" WIDE	QTY	30" WIDE	QTY	36" WIDE	QTY	LENGTH (INCHES)
HFHSF2-2424		HFHSF2-3024		HFHSF2-3624		24
HFHSF2-2430		HFHSF2-3030		HFHSF2-3630		30
HFHSF2-2436		HFHSF2-3036		HFHSF2-3636		36
HFHSF2-2442		HFHSF2-3042		HFHSF2-3642		42
HFHSF2-2448		HFHSF2-3048		HFHSF2-3648		48
HFHSF2-2454		HFHSF2-3054		HFHSF2-3654		54
HFHSF2-2460		HFHSF2-3060		HFHSF2-3660		60
HFHSF2-2466		HFHSF2-3066		HFHSF2-3666		66
HFHSF2-2472		HFHSF2-3072		HFHSF2-3672		72
HFHSF2-2478		HFHSF2-3078		HFHSF2-3678		78
HFHSF2-2484		HFHSF2-3084		HFHSF2-3684		84
HFHSF2-2490		HFHSF2-3090		HFHSF2-3690		90
HFHSF2-2496		HFHSF2-3096		HFHSF2-3696		96
HFHSF2-24102		HFHSF2-30102		HFHSF2-36102		102
HFHSF2-24108		HFHSF2-30108		HFHSF2-36108		108
HFHSF2-24114		HFHSF2-30114		HFHSF2-36114		114
HFHSF2-24120		HFHSF2-30120		HFHSF2-36120		120

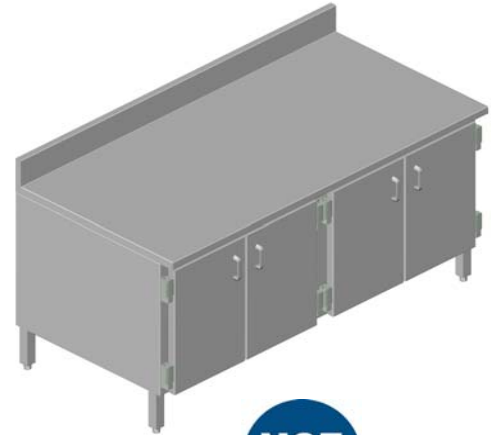
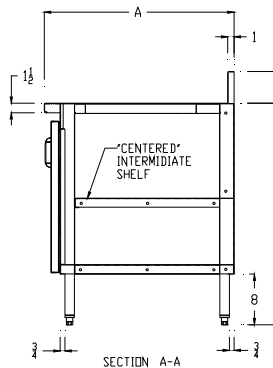
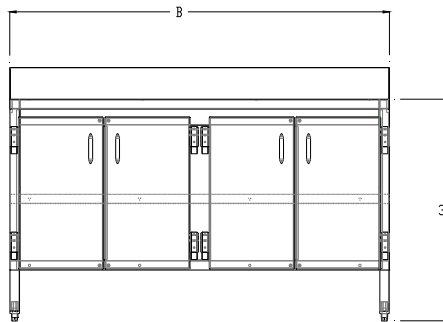
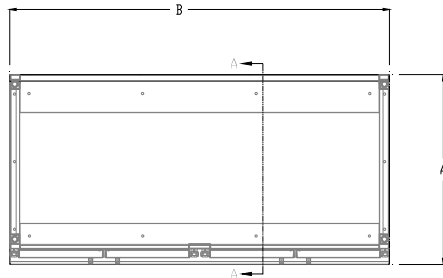
STAINLESS STEEL WORKTABLES

FHSF2-SERIES— FULLY ENCLOSED WORKTABLE W/ BACKSPLASH, HINGED DOORS, UNDERSHELF, & INTERMEDIATE SHELF

PROJECT#: _____

ITEM# _____

MODEL# _____



- ◆ 35" Working Height is with Adj. Bullet Feet in Shortest Position
- ◆ Tables At or Above 78" Will Require (3) Sets of Legs.

A WIDTH	B LENGTH	EFHSF2 - SERIES 16 GA. 400 SERIES S/S TOP & 18 GA. 400 SERIES S/S UNDERSHELF	SFHSF2 - SERIES 16 GA. 300 SERIES S/S TOP & 18 GA. 300 SERIES S/S UNDERSHELF	HFHSF2 - SERIES 14 GA. 300 SERIES S/S TOP & 16 GA. 300 SERIES S/S UNDERSHELF	#Of Legs	Product Weight (lbs)
24" WIDE						
24	24	EFHSF2-2424	SFHSF2-2424	HFHSF2-2424	4	96
24	30	EFHSF2-2430	SFHSF2-2430	HFHSF2-2430	4	118
24	36	EFHSF2-2436	SFHSF2-2436	HFHSF2-2436	4	139
24	48	EFHSF2-2448	SFHSF2-2448	HFHSF2-2448	4	166
24	60	EFHSF2-2460	SFHSF2-2460	HFHSF2-2460	4	194
24	72	EFHSF2-2472	SFHSF2-2472	HFHSF2-2472	4	222
24	84	EFHSF2-2484	SFHSF2-2484	HFHSF2-2484	6	249
24	96	EFHSF2-2496	SFHSF2-2496	HFHSF2-2496	6	277
24	108	EFHSF2-24108	SFHSF2-24108	HFHSF2-24108	6	304
24	120	EFHSF2-24120	SFHSF2-24120	HFHSF2-24120	6	332
30" WIDE						
30	24	EFHSF2-3024	SFHSF2-3024	HFHSF2-3024	4	89
30	30	EFHSF2-3030	SFHSF2-3030	HFHSF2-3030	4	113
30	36	EFHSF2-3036	SFHSF2-3036	HFHSF2-3036	4	136
30	48	EFHSF2-3048	SFHSF2-3048	HFHSF2-3048	4	165
30	60	EFHSF2-3060	SFHSF2-3060	HFHSF2-3060	4	195
30	72	EFHSF2-3072	SFHSF2-3072	HFHSF2-3072	4	225
30	84	EFHSF2-3084	SFHSF2-3084	HFHSF2-3084	6	254
30	96	EFHSF2-3096	SFHSF2-3096	HFHSF2-3096	6	284
30	108	EFHSF2-30108	SFHSF2-30108	HFHSF2-30108	6	313
30	120	EFHSF2-30120	SFHSF2-30120	HFHSF2-30120	6	343
36" WIDE						
36	24	EFHSF2-3624	SFHSF2-3624	HFHSF2-3624	4	114
36	30	EFHSF2-3630	SFHSF2-3630	HFHSF2-3630	4	141
36	36	EFHSF2-3636	SFHSF2-3636	HFHSF2-3636	4	167
36	48	EFHSF2-3648	SFHSF2-3648	HFHSF2-3648	4	199
36	60	EFHSF2-3660	SFHSF2-3660	HFHSF2-3660	4	232
36	72	EFHSF2-3672	SFHSF2-3672	HFHSF2-3672	4	265
36	84	EFHSF2-3684	SFHSF2-3684	HFHSF2-3684	6	297
36	96	EFHSF2-3696	SFHSF2-3696	HFHSF2-3696	6	330
36	108	EFHSF2-36108	SFHSF2-36108	HFHSF2-36108	6	362
36	120	EFHSF2-36120	SFHSF2-36120	HFHSF2-36120	6	395