

STAINLESS STEEL WORKTABLES
FHFS1-SERIES— FULLY ENCLOSED WORKTABLE W/ BACKSPLASH,
HINGED DOORS, UNDERSHELF, & INTERMEDIATE SHELF

PROJECT#: _____

ITEM# _____

MODEL# _____

SPECIFICATIONS:

ECONOMY— EFHSF1-Series: 400 Series Stainless Top, 400 Series Stainless Body & 400 Series Stainless Undershef

TOP: 16 GA.
400 Series Stainless

SHELVES: 18 GA.
400 Series Stainless

BODY & DOORS: 18 GA.
400 Series Stainless

LEGS: 1 1/2" Square
Tubular Stainless Steel

STANDARD— SFHSF1-Series: 300 Series Stainless Top, 300 Series Stainless Body & 300 Series Stainless Undershef

TOP: 16 GA.
300 Series Stainless

SHELVES: 18 GA.
300 Series Stainless

BODY & DOORS: 18 GA.
300 Series Stainless

LEGS: 1 1/2" Square
Tubular Stainless Steel

HEAVY DUTY— HFHSF1-Series: 300 Series Stainless Top, 300 Series Stainless Body & 300 Series Stainless Undershef

TOP: 14 GA.
300 Series Stainless

SHELVES: 16 GA.
300 Series Stainless

BODY & DOORS: 18 GA.
300 Series Stainless

LEGS: 1 1/2" Square
Tubular Stainless Steel

CONSTRUCTION:

- ◆ All Table Connection Points Fully Welded for Maximum Rigidity and Long Life
- ◆ S/S Adjustable Bullet Feet
- ◆ Sound Deadening Between Top and Reinforcing Channel
- ◆ Hinged Doors are Double Pan Constructed for Maximum Rigidity
- ◆ Hinges are Offset Lift-Off/Self-Closing Type
- ◆ Offsets on Body Ends for Flush Fit
- ◆ S/S Undershef & Intermediate Shelf Welded to Legs
- ◆ Table is Polished to #3 Finish
- ◆ Working Height 35" to 36 1/4"

ECONOMY - EFHSF1 - SERIES						
24" WIDE	QTY	30" WIDE	QTY	36" WIDE	QTY	LENGTH (INCHES)
EFHSF1-2424		EFHSF1-3024		EFHSF1-3624		24
EFHSF1-2430		EFHSF1-3030		EFHSF1-3630		30
EFHSF1-2436		EFHSF1-3036		EFHSF1-3636		36
EFHSF1-2442		EFHSF1-3042		EFHSF1-3642		42
EFHSF1-2448		EFHSF1-3048		EFHSF1-3648		48
EFHSF1-2454		EFHSF1-3054		EFHSF1-3654		54
EFHSF1-2460		EFHSF1-3060		EFHSF1-3660		60
EFHSF1-2466		EFHSF1-3066		EFHSF1-3666		66
EFHSF1-2472		EFHSF1-3072		EFHSF1-3672		72
EFHSF1-2478		EFHSF1-3078		EFHSF1-3678		78
EFHSF1-2484		EFHSF1-3084		EFHSF1-3684		84
EFHSF1-2490		EFHSF1-3090		EFHSF1-3690		90
EFHSF1-2496		EFHSF1-3096		EFHSF1-3696		96
EFHSF1-24102		EFHSF1-30102		EFHSF1-36102		102
EFHSF1-24108		EFHSF1-30108		EFHSF1-36108		108
EFHSF1-24114		EFHSF1-30114		EFHSF1-36114		114
EFHSF1-24120		EFHSF1-30120		EFHSF1-36120		120

STANDARD - SFHSF1 - SERIES						
24" WIDE	QTY	30" WIDE	QTY	36" WIDE	QTY	LENGTH (INCHES)
SFHSF1-2424		SFHSF1-3024		SFHSF1-3624		24
SFHSF1-2430		SFHSF1-3030		SFHSF1-3630		30
SFHSF1-2436		SFHSF1-3036		SFHSF1-3636		36
SFHSF1-2442		SFHSF1-3042		SFHSF1-3642		42
SFHSF1-2448		SFHSF1-3048		SFHSF1-3648		48
SFHSF1-2454		SFHSF1-3054		SFHSF1-3654		54
SFHSF1-2460		SFHSF1-3060		SFHSF1-3660		60
SFHSF1-2466		SFHSF1-3066		SFHSF1-3666		66
SFHSF1-2472		SFHSF1-3072		SFHSF1-3672		72
SFHSF1-2478		SFHSF1-3078		SFHSF1-3678		78
SFHSF1-2484		SFHSF1-3084		SFHSF1-3684		84
SFHSF1-2490		SFHSF1-3090		SFHSF1-3690		90
SFHSF1-2496		SFHSF1-3096		SFHSF1-3696		96
SFHSF1-24102		SFHSF1-30102		SFHSF1-36102		102
SFHSF1-24108		SFHSF1-30108		SFHSF1-36108		108
SFHSF1-24114		SFHSF1-30114		SFHSF1-36114		114
SFHSF1-24120		SFHSF1-30120		SFHSF1-36120		120

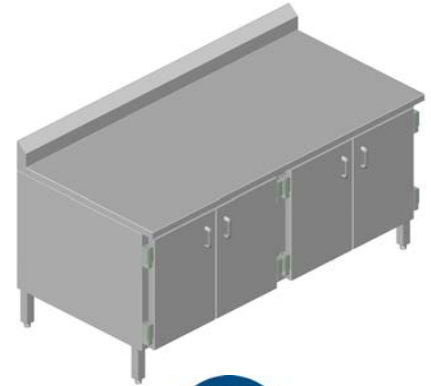
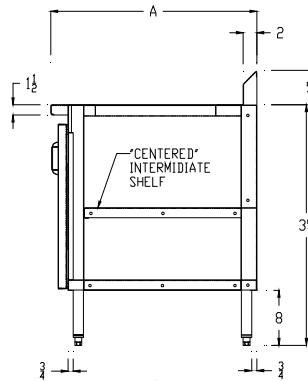
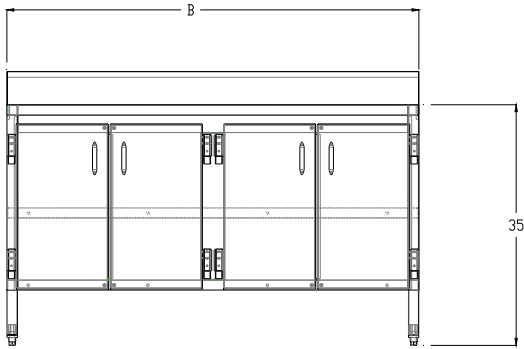
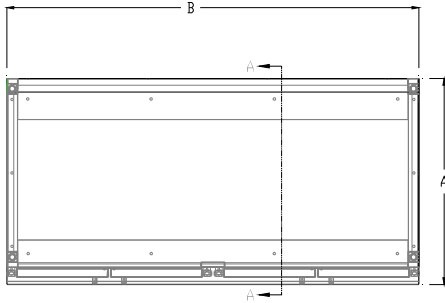
HEAVY DUTY - HFHSF1 - SERIES						
24" WIDE	QTY	30" WIDE	QTY	36" WIDE	QTY	LENGTH (INCHES)
HFHSF1-2424		HFHSF1-3024		HFHSF1-3624		24
HFHSF1-2430		HFHSF1-3030		HFHSF1-3630		30
HFHSF1-2436		HFHSF1-3036		HFHSF1-3636		36
HFHSF1-2442		HFHSF1-3042		HFHSF1-3642		42
HFHSF1-2448		HFHSF1-3048		HFHSF1-3648		48
HFHSF1-2454		HFHSF1-3054		HFHSF1-3654		54
HFHSF1-2460		HFHSF1-3060		HFHSF1-3660		60
HFHSF1-2466		HFHSF1-3066		HFHSF1-3666		66
HFHSF1-2472		HFHSF1-3072		HFHSF1-3672		72
HFHSF1-2478		HFHSF1-3078		HFHSF1-3678		78
HFHSF1-2484		HFHSF1-3084		HFHSF1-3684		84
HFHSF1-2490		HFHSF1-3090		HFHSF1-3690		90
HFHSF1-2496		HFHSF1-3096		HFHSF1-3696		96
HFHSF1-24102		HFHSF1-30102		HFHSF1-36102		102
HFHSF1-24108		HFHSF1-30108		HFHSF1-36108		108
HFHSF1-24114		HFHSF1-30114		HFHSF1-36114		114
HFHSF1-24120		HFHSF1-30120		HFHSF1-36120		120

STAINLESS STEEL WORKTABLES FHSF1-SERIES— FULLY ENCLOSED WORKTABLE W/ BACKSPLASH, HINGED DOORS, UNDERSHELF, & INTERMEDIATE SHELF

PROJECT#: _____

ITEM# _____

MODEL# _____



- ◆ 35" Working Height is with Adj. Bullet Feet in Shortest Position
- ◆ Tables At or Above 78" Will Require (3) Sets of Legs.

A WIDTH	B LENGTH	EFHSF1 - SERIES 16 GA. 400 SERIES S/S TOP & 18 GA. 400 SERIES S/S UNDERSHELF	SFHSF1 - SERIES 16 GA. 300 SERIES S/S TOP & 18 GA. 300 SERIES S/S UNDERSHELF	HFHSF1 - SERIES 14 GA. 300 SERIES S/S TOP & 16 GA. 300 SERIES S/S UNDERSHELF	#Of Legs	Product Weight (lbs)
24" WIDE						
24	24	EFHSF1-2424	SFHSF1-2424	HFHSF1-2424	4	96
24	30	EFHSF1-2430	SFHSF1-2430	HFHSF1-2430	4	118
24	36	EFHSF1-2436	SFHSF1-2436	HFHSF1-2436	4	139
24	48	EFHSF1-2448	SFHSF1-2448	HFHSF1-2448	4	166
24	60	EFHSF1-2460	SFHSF1-2460	HFHSF1-2460	4	194
24	72	EFHSF1-2472	SFHSF1-2472	HFHSF1-2472	4	222
24	84	EFHSF1-2484	SFHSF1-2484	HFHSF1-2484	6	249
24	96	EFHSF1-2496	SFHSF1-2496	HFHSF1-2496	6	277
24	108	EFHSF1-24108	SFHSF1-24108	HFHSF1-24108	6	304
24	120	EFHSF1-24120	SFHSF1-24120	HFHSF1-24120	6	332
30" WIDE						
30	24	EFHSF1-3024	SFHSF1-3024	HFHSF1-3024	4	89
30	30	EFHSF1-3030	SFHSF1-3030	HFHSF1-3030	4	113
30	36	EFHSF1-3036	SFHSF1-3036	HFHSF1-3036	4	136
30	48	EFHSF1-3048	SFHSF1-3048	HFHSF1-3048	4	165
30	60	EFHSF1-3060	SFHSF1-3060	HFHSF1-3060	4	195
30	72	EFHSF1-3072	SFHSF1-3072	HFHSF1-3072	4	225
30	84	EFHSF1-3084	SFHSF1-3084	HFHSF1-3084	6	254
30	96	EFHSF1-3096	SFHSF1-3096	HFHSF1-3096	6	284
30	108	EFHSF1-30108	SFHSF1-30108	HFHSF1-30108	6	313
30	120	EFHSF1-30120	SFHSF1-30120	HFHSF1-30120	6	343
36" WIDE						
36	24	EFHSF1-3624	SFHSF1-3624	HFHSF1-3624	4	114
36	30	EFHSF1-3630	SFHSF1-3630	HFHSF1-3630	4	141
36	36	EFHSF1-3636	SFHSF1-3636	HFHSF1-3636	4	167
36	48	EFHSF1-3648	SFHSF1-3648	HFHSF1-3648	4	199
36	60	EFHSF1-3660	SFHSF1-3660	HFHSF1-3660	4	232
36	72	EFHSF1-3672	SFHSF1-3672	HFHSF1-3672	4	265
36	84	EFHSF1-3684	SFHSF1-3684	HFHSF1-3684	6	297
36	96	EFHSF1-3696	SFHSF1-3696	HFHSF1-3696	6	330
36	108	EFHSF1-36108	SFHSF1-36108	HFHSF1-36108	6	362
36	120	EFHSF1-36120	SFHSF1-36120	HFHSF1-36120	6	395