

STAINLESS STEEL WORKTABLES FCF-SERIES— FLAT TOP FULLY ENCLOSED WORKTABLE W/ UNDERSHELF AND CASTERS

PROJECT#: _____

ITEM# _____

MODEL# _____

SPECIFICATIONS:

ECONOMY— EFCF-Series: 400 Series Stainless Top, 400 Series Stainless Body & 400 Series Stainless Undershelf

TOP: 16 GA.
400 Series Stainless

SHELF: 18 GA.
400 Series Stainless

BODY & DOORS: 20 GA.
400 Series Stainless

LEGS: 1 1/2" Square
Tubular Stainless Steel

STANDARD— SFCF-Series: 300 Series Stainless Top, 300 Series Stainless Body & 300 Series Stainless Undershelf

TOP: 16 GA.
300 Series Stainless

SHELF: 18 GA.
300 Series Stainless

BODY & DOORS: 20 GA.
300 Series Stainless

LEGS: 1 1/2" Square
Tubular Stainless Steel

HEAVY DUTY— HFCF-Series: 300 Series Stainless Top, 300 Series Stainless Body & 300 Series Stainless Undershelf

TOP: 14 GA.
300 Series Stainless

SHELF: 16 GA.
300 Series Stainless

BODY & DOORS: 18 GA.
300 Series Stainless

LEGS: 1 1/2" Square
Tubular Stainless Steel

CONSTRUCTION:

- ◆ All Table Connection Points Fully Welded for Maximum Rigidity and Long Life
- ◆ S/S Adjustable Bullet Feet
- ◆ Sound Deadening Between Top and Reinforcing Channel
- ◆ Stainless Steel Sliding Doors Mounted to Glides with Rollers for Easy Opening and Closing
- ◆ Offsets on Body Ends for Flush Fit
- ◆ S/S Undershelf Welded to Legs
- ◆ Table is Polished to #3 Finish
- ◆ Working Height 35" to 36 1/4"
- ◆ Casters Rated at 250 Lbs each.

ECONOMY - EFCF - SERIES						
24" WIDE	QTY	30" WIDE	QTY	36" WIDE	QTY	LENGTH (INCHES)
EFCF-2424		EFCF-3024		EFCF-3624		24
EFCF-2430		EFCF-3030		EFCF-3630		30
EFCF-2436		EFCF-3036		EFCF-3636		36
EFCF-2442		EFCF-3042		EFCF-3642		42
EFCF-2448		EFCF-3048		EFCF-3648		48
EFCF-2454		EFCF-3054		EFCF-3654		54
EFCF-2460		EFCF-3060		EFCF-3660		60
EFCF-2466		EFCF-3066		EFCF-3666		66
EFCF-2472		EFCF-3072		EFCF-3672		72
EFCF-2478		EFCF-3078		EFCF-3678		78
EFCF-2484		EFCF-3084		EFCF-3684		84
EFCF-2490		EFCF-3090		EFCF-3690		90
EFCF-2496		EFCF-3096		EFCF-3696		96
EFCF-24102		EFCF-30102		EFCF-36102		102
EFCF-24108		EFCF-30108		EFCF-36108		108
EFCF-24114		EFCF-30114		EFCF-36114		114
EFCF-24120		EFCF-30120		EFCF-36120		120

STANDARD - SFCF - SERIES						
24" WIDE	QTY	30" WIDE	QTY	36" WIDE	QTY	LENGTH (INCHES)
SFCF-2424		SFCF-3024		SFCF-3624		24
SFCF-2430		SFCF-3030		SFCF-3630		30
SFCF-2436		SFCF-3036		SFCF-3636		36
SFCF-2442		SFCF-3042		SFCF-3642		42
SFCF-2448		SFCF-3048		SFCF-3648		48
SFCF-2454		SFCF-3054		SFCF-3654		54
SFCF-2460		SFCF-3060		SFCF-3660		60
SFCF-2466		SFCF-3066		SFCF-3666		66
SFCF-2472		SFCF-3072		SFCF-3672		72
SFCF-2478		SFCF-3078		SFCF-3678		78
SFCF-2484		SFCF-3084		SFCF-3684		84
SFCF-2490		SFCF-3090		SFCF-3690		90
SFCF-2496		SFCF-3096		SFCF-3696		96
SFCF-24102		SFCF-30102		SFCF-36102		102
SFCF-24108		SFCF-30108		SFCF-36108		108
SFCF-24114		SFCF-30114		SFCF-36114		114
SFCF-24120		SFCF-30120		SFCF-36120		120

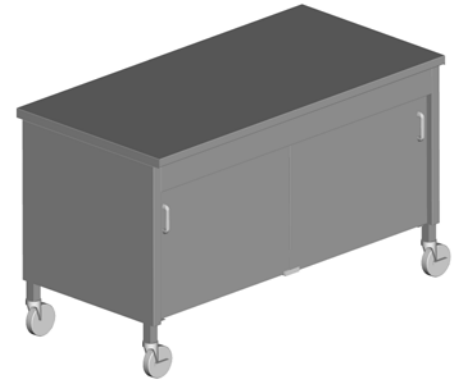
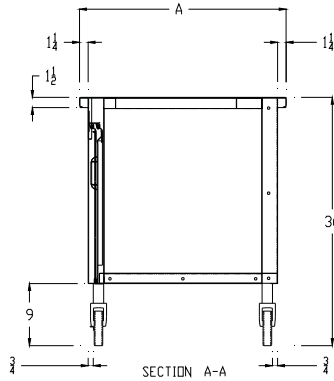
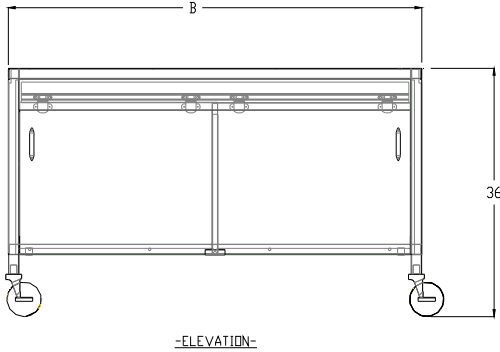
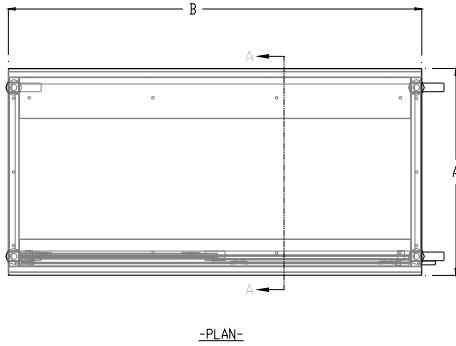
HEAVY DUTY - HFCF - SERIES						
24" WIDE	QTY	30" WIDE	QTY	36" WIDE	QTY	LENGTH (INCHES)
HFCF-2424		HFCF-3024		HFCF-3624		24
HFCF-2430		HFCF-3030		HFCF-3630		30
HFCF-2436		HFCF-3036		HFCF-3636		36
HFCF-2442		HFCF-3042		HFCF-3642		42
HFCF-2448		HFCF-3048		HFCF-3648		48
HFCF-2454		HFCF-3054		HFCF-3654		54
HFCF-2460		HFCF-3060		HFCF-3660		60
HFCF-2466		HFCF-3066		HFCF-3666		66
HFCF-2472		HFCF-3072		HFCF-3672		72
HFCF-2478		HFCF-3078		HFCF-3678		78
HFCF-2484		HFCF-3084		HFCF-3684		84
HFCF-2490		HFCF-3090		HFCF-3690		90
HFCF-2496		HFCF-3096		HFCF-3696		96
HFCF-24102		HFCF-30102		HFCF-36102		102
HFCF-24108		HFCF-30108		HFCF-36108		108
HFCF-24114		HFCF-30114		HFCF-36114		114
HFCF-24120		HFCF-30120		HFCF-36120		120

STAINLESS STEEL WORKTABLES FCF-SERIES— FLAT TOP FULLY ENCLOSED WORKTABLE W/ UNDERSHELF AND CASTERS

PROJECT#: _____

ITEM# _____

MODEL# _____



◆ Tables At or Above 78" Will Require (3) Sets of Legs.

A WIDTH	B LENGTH	EFCF - SERIES 16 GA. 400 SERIES S/S TOP & 18 GA. 400 SERIES S/S UNDERSHELF	SFCF - SERIES 16 GA. 300 SERIES S/S TOP & 18 GA. 300 SERIES S/S UNDERSHELF	HFCF - SERIES 14 GA. 300 SERIES S/S TOP & 16 GA. 300 SERIES S/S UNDERSHELF	#Of Legs	Product Weight (lbs)
24" WIDE						
24	24	EFCF-2424	SFCF-2424	HFCF-2424	4	96
24	30	EFCF-2430	SFCF-2430	HFCF-2430	4	118
24	36	EFCF-2436	SFCF-2436	HFCF-2436	4	139
24	48	EFCF-2448	SFCF-2448	HFCF-2448	4	166
24	60	EFCF-2460	SFCF-2460	HFCF-2460	4	194
24	72	EFCF-2472	SFCF-2472	HFCF-2472	4	222
24	84	EFCF-2484	SFCF-2484	HFCF-2484	6	249
24	96	EFCF-2496	SFCF-2496	HFCF-2496	6	277
24	108	EFCF-24108	SFCF-24108	HFCF-24108	6	304
24	120	EFCF-24120	SFCF-24120	HFCF-24120	6	332
30" WIDE						
30	24	EFCF-3024	SFCF-3024	HFCF-3024	4	89
30	30	EFCF-3030	SFCF-3030	HFCF-3030	4	113
30	36	EFCF-3036	SFCF-3036	HFCF-3036	4	136
30	48	EFCF-3048	SFCF-3048	HFCF-3048	4	165
30	60	EFCF-3060	SFCF-3060	HFCF-3060	4	195
30	72	EFCF-3072	SFCF-3072	HFCF-3072	4	225
30	84	EFCF-3084	SFCF-3084	HFCF-3084	6	254
30	96	EFCF-3096	SFCF-3096	HFCF-3096	6	284
30	108	EFCF-30108	SFCF-30108	HFCF-30108	6	313
30	120	EFCF-30120	SFCF-30120	HFCF-30120	6	343
36" WIDE						
36	24	EFCF-3624	SFCF-3624	HFCF-3624	4	114
36	30	EFCF-3630	SFCF-3630	HFCF-3630	4	141
36	36	EFCF-3636	SFCF-3636	HFCF-3636	4	167
36	48	EFCF-3648	SFCF-3648	HFCF-3648	4	199
36	60	EFCF-3660	SFCF-3660	HFCF-3660	4	232
36	72	EFCF-3672	SFCF-3672	HFCF-3672	4	265
36	84	EFCF-3684	SFCF-3684	HFCF-3684	6	297
36	96	EFCF-3696	SFCF-3696	HFCF-3696	6	330
36	108	EFCF-36108	SFCF-36108	HFCF-36108	6	362
36	120	EFCF-36120	SFCF-36120	HFCF-36120	6	395