

STAINLESS STEEL WORKTABLES EFCF3-SERIES— FLAT TOP FULLY ENCLOSED WORKTABLE W/ REAR TURN-UP, UNDERSHELF, AND CASTERS

PROJECT#: _____

ITEM# _____

MODEL# _____

SPECIFICATIONS:

ECONOMY— EFCF3-Series: 400 Series Stainless Top, 400 Series Stainless Body & 400 Series Stainless Undershelf

TOP: 16 GA.
400 Series Stainless

SHELF: 18 GA.
400 Series Stainless

BODY & DOORS: 20 GA.
400 Series Stainless

LEGS: 1 1/2" Square
Tubular Stainless Steel

STANDARD— SFCF3-Series: 300 Series Stainless Top, 300 Series Stainless Body & 300 Series Stainless Undershelf

TOP: 16 GA.
300 Series Stainless

SHELF: 18 GA.
300 Series Stainless

BODY & DOORS: 20 GA.
300 Series Stainless

LEGS: 1 1/2" Square
Tubular Stainless Steel

HEAVY DUTY— HFCF3-Series: 300 Series Stainless Top, 300 Series Stainless Body & 300 Series Stainless Undershelf

TOP: 14 GA.
300 Series Stainless

SHELF: 16 GA.
300 Series Stainless

BODY & DOORS: 18 GA.
300 Series Stainless

LEGS: 1 1/2" Square
Tubular Stainless Steel

CONSTRUCTION:

- ◆ All Table Connection Points Fully Welded for Maximum Rigidity and Long Life
- ◆ S/S Adjustable Bullet Feet
- ◆ Sound Deadening Between Top and Reinforcing Channel
- ◆ Stainless Steel Sliding Doors Mounted to Glides with Rollers for Easy Opening and Closing
- ◆ Offsets on Body Ends for Flush Fit
- ◆ S/S Undershelf Welded to Legs
- ◆ Table is Polished to #3 Finish
- ◆ Working Height 35" to 36 1/4"
- ◆ Casters Rated at 250 Lbs each.

ECONOMY - EFCF3 - SERIES						
24" WIDE	QTY	30" WIDE	QTY	36" WIDE	QTY	LENGTH (INCHES)
EFCF3-2424		EFCF3-3024		EFCF3-3624		24
EFCF3-2430		EFCF3-3030		EFCF3-3630		30
EFCF3-2436		EFCF3-3036		EFCF3-3636		36
EFCF3-2442		EFCF3-3042		EFCF3-3642		42
EFCF3-2448		EFCF3-3048		EFCF3-3648		48
EFCF3-2454		EFCF3-3054		EFCF3-3654		54
EFCF3-2460		EFCF3-3060		EFCF3-3660		60
EFCF3-2466		EFCF3-3066		EFCF3-3666		66
EFCF3-2472		EFCF3-3072		EFCF3-3672		72
EFCF3-2478		EFCF3-3078		EFCF3-3678		78
EFCF3-2484		EFCF3-3084		EFCF3-3684		84
EFCF3-2490		EFCF3-3090		EFCF3-3690		90
EFCF3-2496		EFCF3-3096		EFCF3-3696		96
EFCF3-24102		EFCF3-30102		EFCF3-36102		102
EFCF3-24108		EFCF3-30108		EFCF3-36108		108
EFCF3-24114		EFCF3-30114		EFCF3-36114		114
EFCF3-24120		EFCF3-30120		EFCF3-36120		120

STANDARD - SFCF3 - SERIES						
24" WIDE	QTY	30" WIDE	QTY	36" WIDE	QTY	LENGTH (INCHES)
SFCF3-2424		SFCF3-3024		SFCF3-3624		24
SFCF3-2430		SFCF3-3030		SFCF3-3630		30
SFCF3-2436		SFCF3-3036		SFCF3-3636		36
SFCF3-2442		SFCF3-3042		SFCF3-3642		42
SFCF3-2448		SFCF3-3048		SFCF3-3648		48
SFCF3-2454		SFCF3-3054		SFCF3-3654		54
SFCF3-2460		SFCF3-3060		SFCF3-3660		60
SFCF3-2466		SFCF3-3066		SFCF3-3666		66
SFCF3-2472		SFCF3-3072		SFCF3-3672		72
SFCF3-2478		SFCF3-3078		SFCF3-3678		78
SFCF3-2484		SFCF3-3084		SFCF3-3684		84
SFCF3-2490		SFCF3-3090		SFCF3-3690		90
SFCF3-2496		SFCF3-3096		SFCF3-3696		96
SFCF3-24102		SFCF3-30102		SFCF3-36102		102
SFCF3-24108		SFCF3-30108		SFCF3-36108		108
SFCF3-24114		SFCF3-30114		SFCF3-36114		114
SFCF3-24120		SFCF3-30120		SFCF3-36120		120

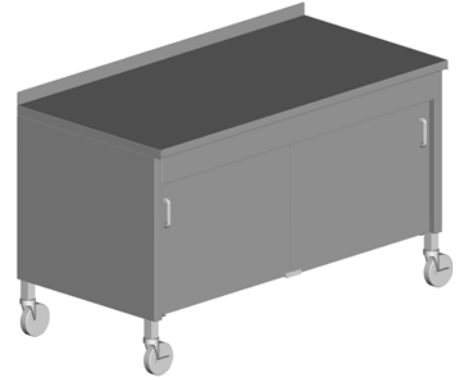
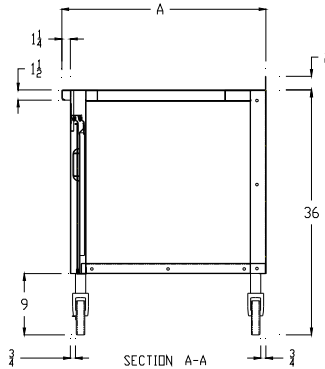
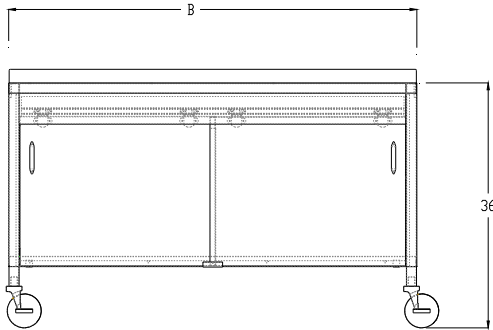
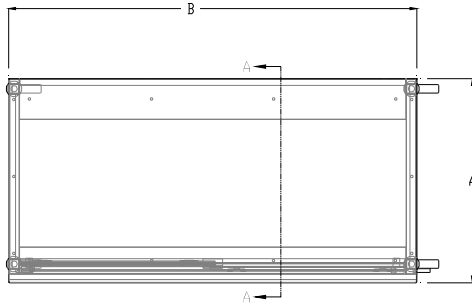
HEAVY DUTY - HFCF3 - SERIES						
24" WIDE	QTY	30" WIDE	QTY	36" WIDE	QTY	LENGTH (INCHES)
HFCF3-2424		HFCF3-3024		HFCF3-3624		24
HFCF3-2430		HFCF3-3030		HFCF3-3630		30
HFCF3-2436		HFCF3-3036		HFCF3-3636		36
HFCF3-2442		HFCF3-3042		HFCF3-3642		42
HFCF3-2448		HFCF3-3048		HFCF3-3648		48
HFCF3-2454		HFCF3-3054		HFCF3-3654		54
HFCF3-2460		HFCF3-3060		HFCF3-3660		60
HFCF3-2466		HFCF3-3066		HFCF3-3666		66
HFCF3-2472		HFCF3-3072		HFCF3-3672		72
HFCF3-2478		HFCF3-3078		HFCF3-3678		78
HFCF3-2484		HFCF3-3084		HFCF3-3684		84
HFCF3-2490		HFCF3-3090		HFCF3-3690		90
HFCF3-2496		HFCF3-3096		HFCF3-3696		96
HFCF3-24102		HFCF3-30102		HFCF3-36102		102
HFCF3-24108		HFCF3-30108		HFCF3-36108		108
HFCF3-24114		HFCF3-30114		HFCF3-36114		114
HFCF3-24120		HFCF3-30120		HFCF3-36120		120

STAINLESS STEEL WORKTABLES FCF3-SERIES — FLAT TOP FULLY ENCLOSED WORKTABLE W/ REAR TURN-UP, UNDERSHELF, AND CASTERS

PROJECT#: _____

ITEM# _____

MODEL# _____



◆ Tables At or Above 78" Will Require (3) Sets of Legs.

A WIDTH	B LENGTH	EFCF3 - SERIES 16 GA. 400 SERIES S/S TOP & 18 GA. 400 SERIES S/S UNDERSHELF	SFCF3 - SERIES 16 GA. 300 SERIES S/S TOP & 18 GA. 300 SERIES S/S UNDERSHELF	HFCF3 - SERIES 14 GA. 300 SERIES S/S TOP & 16 GA. 300 SERIES S/S UNDERSHELF	#Of Legs	Product Weight (lbs)
24" WIDE						
24	24	EFCF3-2424	SFCF3-2424	HFCF3-2424	4	96
24	30	EFCF3-2430	SFCF3-2430	HFCF3-2430	4	118
24	36	EFCF3-2436	SFCF3-2436	HFCF3-2436	4	139
24	48	EFCF3-2448	SFCF3-2448	HFCF3-2448	4	166
24	60	EFCF3-2460	SFCF3-2460	HFCF3-2460	4	194
24	72	EFCF3-2472	SFCF3-2472	HFCF3-2472	4	222
24	84	EFCF3-2484	SFCF3-2484	HFCF3-2484	6	249
24	96	EFCF3-2496	SFCF3-2496	HFCF3-2496	6	277
24	108	EFCF3-24108	SFCF3-24108	HFCF3-24108	6	304
24	120	EFCF3-24120	SFCF3-24120	HFCF3-24120	6	332
30" WIDE						
30	24	EFCF3-3024	SFCF3-3024	HFCF3-3024	4	89
30	30	EFCF3-3030	SFCF3-3030	HFCF3-3030	4	113
30	36	EFCF3-3036	SFCF3-3036	HFCF3-3036	4	136
30	48	EFCF3-3048	SFCF3-3048	HFCF3-3048	4	165
30	60	EFCF3-3060	SFCF3-3060	HFCF3-3060	4	195
30	72	EFCF3-3072	SFCF3-3072	HFCF3-3072	4	225
30	84	EFCF3-3084	SFCF3-3084	HFCF3-3084	6	254
30	96	EFCF3-3096	SFCF3-3096	HFCF3-3096	6	284
30	108	EFCF3-30108	SFCF3-30108	HFCF3-30108	6	313
30	120	EFCF3-30120	SFCF3-30120	HFCF3-30120	6	343
36" WIDE						
36	24	EFCF3-3624	SFCF3-3624	HFCF3-3624	4	114
36	30	EFCF3-3630	SFCF3-3630	HFCF3-3630	4	141
36	36	EFCF3-3636	SFCF3-3636	HFCF3-3636	4	167
36	48	EFCF3-3648	SFCF3-3648	HFCF3-3648	4	199
36	60	EFCF3-3660	SFCF3-3660	HFCF3-3660	4	232
36	72	EFCF3-3672	SFCF3-3672	HFCF3-3672	4	265
36	84	EFCF3-3684	SFCF3-3684	HFCF3-3684	6	297
36	96	EFCF3-3696	SFCF3-3696	HFCF3-3696	6	330
36	108	EFCF3-36108	SFCF3-36108	HFCF3-36108	6	362
36	120	EFCF3-36120	SFCF3-36120	HFCF3-36120	6	395