

## STAINLESS STEEL WORKTABLES FCF2-SERIES— FLAT TOP FULLY ENCLOSED WORKTABLE W/ BACKSPLASH UNDERSHELF AND CASTERS

PROJECT#: \_\_\_\_\_

ITEM# \_\_\_\_\_

MODEL# \_\_\_\_\_

### SPECIFICATIONS:

**ECONOMY— EFCF2-Series: 400 Series Stainless Top, 400 Series Stainless Body & 400 Series Stainless Undershelf**

**TOP:** 16 GA.  
400 Series Stainless

**SHELF:** 18 GA.  
400 Series Stainless

**BODY & DOORS:** 20 GA.  
400 Series Stainless

**LEGS:** 1 1/2" Square  
Tubular Stainless Steel

**STANDARD— SFCF2-Series: 300 Series Stainless Top, 300 Series Stainless Body & 300 Series Stainless Undershelf**

**TOP:** 16 GA.  
300 Series Stainless

**SHELF:** 18 GA.  
300 Series Stainless

**BODY & DOORS:** 20 GA.  
300 Series Stainless

**LEGS:** 1 1/2" Square  
Tubular Stainless Steel

**HEAVY DUTY— HFCF2-Series: 300 Series Stainless Top, 300 Series Stainless Body & 300 Series Stainless Undershelf**

**TOP:** 14 GA.  
300 Series Stainless

**SHELF:** 16 GA.  
300 Series Stainless

**BODY & DOORS:** 18 GA.  
300 Series Stainless

**LEGS:** 1 1/2" Square  
Tubular Stainless Steel

### CONSTRUCTION:

- ◆ All Table Connection Points Fully Welded for Maximum Rigidity and Long Life
- ◆ S/S Adjustable Bullet Feet
- ◆ Sound Deadening Between Top and Reinforcing Channel
- ◆ Stainless Steel Sliding Doors Mounted to Glides with Rollers for Easy Opening and Closing
- ◆ Offsets on Body Ends for Flush Fit
- ◆ S/S Undershelf Welded to Legs
- ◆ Table is Polished to #3 Finish
- ◆ Working Height 35" to 36 1/4"
- ◆ Casters Rated at 250 Lbs each.

ECONOMY - EFCF2 - SERIES						
24" WIDE	QTY	30" WIDE	QTY	36" WIDE	QTY	LENGTH (INCHES)
EFCF2-2424		EFCF2-3024		EFCF2-3624		24
EFCF2-2430		EFCF2-3030		EFCF2-3630		30
EFCF2-2436		EFCF2-3036		EFCF2-3636		36
EFCF2-2442		EFCF2-3042		EFCF2-3642		42
EFCF2-2448		EFCF2-3048		EFCF2-3648		48
EFCF2-2454		EFCF2-3054		EFCF2-3654		54
EFCF2-2460		EFCF2-3060		EFCF2-3660		60
EFCF2-2466		EFCF2-3066		EFCF2-3666		66
EFCF2-2472		EFCF2-3072		EFCF2-3672		72
EFCF2-2478		EFCF2-3078		EFCF2-3678		78
EFCF2-2484		EFCF2-3084		EFCF2-3684		84
EFCF2-2490		EFCF2-3090		EFCF2-3690		90
EFCF2-2496		EFCF2-3096		EFCF2-3696		96
EFCF2-24102		EFCF2-30102		EFCF2-36102		102
EFCF2-24108		EFCF2-30108		EFCF2-36108		108
EFCF2-24114		EFCF2-30114		EFCF2-36114		114
EFCF2-24120		EFCF2-30120		EFCF2-36120		120

STANDARD - SFCF2 - SERIES						
24" WIDE	QTY	30" WIDE	QTY	36" WIDE	QTY	LENGTH (INCHES)
SFCF2-2424		SFCF2-3024		SFCF2-3624		24
SFCF2-2430		SFCF2-3030		SFCF2-3630		30
SFCF2-2436		SFCF2-3036		SFCF2-3636		36
SFCF2-2442		SFCF2-3042		SFCF2-3642		42
SFCF2-2448		SFCF2-3048		SFCF2-3648		48
SFCF2-2454		SFCF2-3054		SFCF2-3654		54
SFCF2-2460		SFCF2-3060		SFCF2-3660		60
SFCF2-2466		SFCF2-3066		SFCF2-3666		66
SFCF2-2472		SFCF2-3072		SFCF2-3672		72
SFCF2-2478		SFCF2-3078		SFCF2-3678		78
SFCF2-2484		SFCF2-3084		SFCF2-3684		84
SFCF2-2490		SFCF2-3090		SFCF2-3690		90
SFCF2-2496		SFCF2-3096		SFCF2-3696		96
SFCF2-24102		SFCF2-30102		SFCF2-36102		102
SFCF2-24108		SFCF2-30108		SFCF2-36108		108
SFCF2-24114		SFCF2-30114		SFCF2-36114		114
SFCF2-24120		SFCF2-30120		SFCF2-36120		120

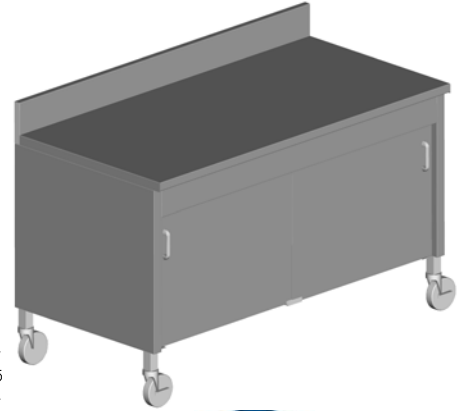
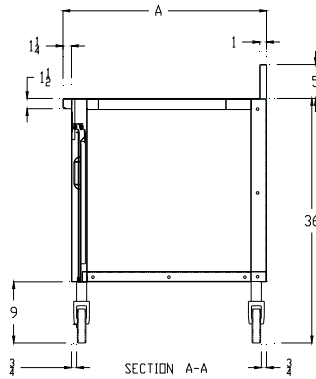
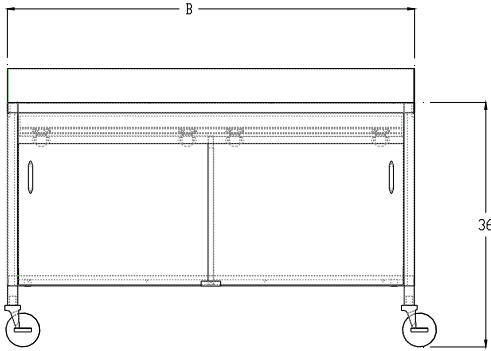
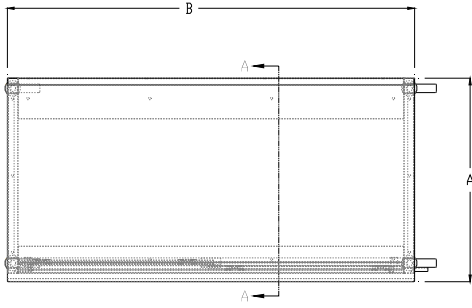
HEAVY DUTY - HFCF2 - SERIES						
24" WIDE	QTY	30" WIDE	QTY	36" WIDE	QTY	LENGTH (INCHES)
HFCF2-2424		HFCF2-3024		HFCF2-3624		24
HFCF2-2430		HFCF2-3030		HFCF2-3630		30
HFCF2-2436		HFCF2-3036		HFCF2-3636		36
HFCF2-2442		HFCF2-3042		HFCF2-3642		42
HFCF2-2448		HFCF2-3048		HFCF2-3648		48
HFCF2-2454		HFCF2-3054		HFCF2-3654		54
HFCF2-2460		HFCF2-3060		HFCF2-3660		60
HFCF2-2466		HFCF2-3066		HFCF2-3666		66
HFCF2-2472		HFCF2-3072		HFCF2-3672		72
HFCF2-2478		HFCF2-3078		HFCF2-3678		78
HFCF2-2484		HFCF2-3084		HFCF2-3684		84
HFCF2-2490		HFCF2-3090		HFCF2-3690		90
HFCF2-2496		HFCF2-3096		HFCF2-3696		96
HFCF2-24102		HFCF2-30102		HFCF2-36102		102
HFCF2-24108		HFCF2-30108		HFCF2-36108		108
HFCF2-24114		HFCF2-30114		HFCF2-36114		114
HFCF2-24120		HFCF2-30120		HFCF2-36120		120

## STAINLESS STEEL WORKTABLES FCF2-SERIES— FLAT TOP FULLY ENCLOSED WORKTABLE W/ BACKSPLASH UNDERSHELF AND CASTERS

PROJECT#: \_\_\_\_\_

ITEM# \_\_\_\_\_

MODEL# \_\_\_\_\_



◆ Tables At or Above 78" Will Require (3) Sets of Legs.

A WIDTH	B LENGTH	EFCF2 - SERIES 16 GA. 400 SERIES S/S TOP & 18 GA. 400 SERIES S/S UNDERSHELF	SFCF2 - SERIES 16 GA. 300 SERIES S/S TOP & 18 GA. 300 SERIES S/S UNDERSHELF	HFCF2 - SERIES 14 GA. 300 SERIES S/S TOP & 16 GA. 300 SERIES S/S UNDERSHELF	#Of Legs	Product Weight (lbs)
<b>24" WIDE</b>						
24	24	EFCF2-2424	SFCF2-2424	HFCF2-2424	4	96
24	30	EFCF2-2430	SFCF2-2430	HFCF2-2430	4	118
24	36	EFCF2-2436	SFCF2-2436	HFCF2-2436	4	139
24	48	EFCF2-2448	SFCF2-2448	HFCF2-2448	4	166
24	60	EFCF2-2460	SFCF2-2460	HFCF2-2460	4	194
24	72	EFCF2-2472	SFCF2-2472	HFCF2-2472	4	222
24	84	EFCF2-2484	SFCF2-2484	HFCF2-2484	6	249
24	96	EFCF2-2496	SFCF2-2496	HFCF2-2496	6	277
24	108	EFCF2-24108	SFCF2-24108	HFCF2-24108	6	304
24	120	EFCF2-24120	SFCF2-24120	HFCF2-24120	6	332
<b>30" WIDE</b>						
30	24	EFCF2-3024	SFCF2-3024	HFCF2-3024	4	89
30	30	EFCF2-3030	SFCF2-3030	HFCF2-3030	4	113
30	36	EFCF2-3036	SFCF2-3036	HFCF2-3036	4	136
30	48	EFCF2-3048	SFCF2-3048	HFCF2-3048	4	165
30	60	EFCF2-3060	SFCF2-3060	HFCF2-3060	4	195
30	72	EFCF2-3072	SFCF2-3072	HFCF2-3072	4	225
30	84	EFCF2-3084	SFCF2-3084	HFCF2-3084	6	254
30	96	EFCF2-3096	SFCF2-3096	HFCF2-3096	6	284
30	108	EFCF2-30108	SFCF2-30108	HFCF2-30108	6	313
30	120	EFCF2-30120	SFCF2-30120	HFCF2-30120	6	343
<b>36" WIDE</b>						
36	24	EFCF2-3624	SFCF2-3624	HFCF2-3624	4	114
36	30	EFCF2-3630	SFCF2-3630	HFCF2-3630	4	141
36	36	EFCF2-3636	SFCF2-3636	HFCF2-3636	4	167
36	48	EFCF2-3648	SFCF2-3648	HFCF2-3648	4	199
36	60	EFCF2-3660	SFCF2-3660	HFCF2-3660	4	232
36	72	EFCF2-3672	SFCF2-3672	HFCF2-3672	4	265
36	84	EFCF2-3684	SFCF2-3684	HFCF2-3684	6	297
36	96	EFCF2-3696	SFCF2-3696	HFCF2-3696	6	330
36	108	EFCF2-36108	SFCF2-36108	HFCF2-36108	6	362
36	120	EFCF2-36120	SFCF2-36120	HFCF2-36120	6	395