

STAINLESS STEEL WORKTABLES FCF1-SERIES— FLAT TOP FULLY ENCLOSED WORKTABLE W/ BACKSPLASH UNDERSHELF AND CASTERS

PROJECT#: _____

ITEM# _____

MODEL# _____

SPECIFICATIONS:

ECONOMY— EFCF1-Series: 400 Series Stainless Top, 400 Series Stainless Body & 400 Series Stainless Undershelf

TOP: 16 GA.
400 Series Stainless

SHELF: 18 GA.
400 Series Stainless

BODY & DOORS: 20 GA.
400 Series Stainless

LEGS: 1 1/2" Square
Tubular Stainless Steel

STANDARD— SFCF1-Series: 300 Series Stainless Top, 300 Series Stainless Body & 300 Series Stainless Undershelf

TOP: 16 GA.
300 Series Stainless

SHELF: 18 GA.
300 Series Stainless

BODY & DOORS: 20 GA.
300 Series Stainless

LEGS: 1 1/2" Square
Tubular Stainless Steel

HEAVY DUTY— HFCF1-Series: 300 Series Stainless Top, 300 Series Stainless Body & 300 Series Stainless Undershelf

TOP: 14 GA.
300 Series Stainless

SHELF: 16 GA.
300 Series Stainless

BODY & DOORS: 18 GA.
300 Series Stainless

LEGS: 1 1/2" Square
Tubular Stainless Steel

CONSTRUCTION:

- ◆ All Table Connection Points Fully Welded for Maximum Rigidity and Long Life
- ◆ S/S Adjustable Bullet Feet
- ◆ Sound Deadening Between Top and Reinforcing Channel
- ◆ Stainless Steel Sliding Doors Mounted to Glides with Rollers for Easy Opening and Closing
- ◆ Offsets on Body Ends for Flush Fit
- ◆ S/S Undershelf Welded to Legs
- ◆ Table is Polished to #3 Finish
- ◆ Working Height 35" to 36 1/4"
- ◆ Casters Rated at 250 Lbs each.

ECONOMY - EFCF1 - SERIES						
24" WIDE	QTY	30" WIDE	QTY	36" WIDE	QTY	LENGTH (INCHES)
EFCF1-2424		EFCF1-3024		EFCF1-3624		24
EFCF1-2430		EFCF1-3030		EFCF1-3630		30
EFCF1-2436		EFCF1-3036		EFCF1-3636		36
EFCF1-2442		EFCF1-3042		EFCF1-3642		42
EFCF1-2448		EFCF1-3048		EFCF1-3648		48
EFCF1-2454		EFCF1-3054		EFCF1-3654		54
EFCF1-2460		EFCF1-3060		EFCF1-3660		60
EFCF1-2466		EFCF1-3066		EFCF1-3666		66
EFCF1-2472		EFCF1-3072		EFCF1-3672		72
EFCF1-2478		EFCF1-3078		EFCF1-3678		78
EFCF1-2484		EFCF1-3084		EFCF1-3684		84
EFCF1-2490		EFCF1-3090		EFCF1-3690		90
EFCF1-2496		EFCF1-3096		EFCF1-3696		96
EFCF1-24102		EFCF1-30102		EFCF1-36102		102
EFCF1-24108		EFCF1-30108		EFCF1-36108		108
EFCF1-24114		EFCF1-30114		EFCF1-36114		114
EFCF1-24120		EFCF1-30120		EFCF1-36120		120

STANDARD - SFCF1 - SERIES						
24" WIDE	QTY	30" WIDE	QTY	36" WIDE	QTY	LENGTH (INCHES)
SFCF1-2424		SFCF1-3024		SFCF1-3624		24
SFCF1-2430		SFCF1-3030		SFCF1-3630		30
SFCF1-2436		SFCF1-3036		SFCF1-3636		36
SFCF1-2442		SFCF1-3042		SFCF1-3642		42
SFCF1-2448		SFCF1-3048		SFCF1-3648		48
SFCF1-2454		SFCF1-3054		SFCF1-3654		54
SFCF1-2460		SFCF1-3060		SFCF1-3660		60
SFCF1-2466		SFCF1-3066		SFCF1-3666		66
SFCF1-2472		SFCF1-3072		SFCF1-3672		72
SFCF1-2478		SFCF1-3078		SFCF1-3678		78
SFCF1-2484		SFCF1-3084		SFCF1-3684		84
SFCF1-2490		SFCF1-3090		SFCF1-3690		90
SFCF1-2496		SFCF1-3096		SFCF1-3696		96
SFCF1-24102		SFCF1-30102		SFCF1-36102		102
SFCF1-24108		SFCF1-30108		SFCF1-36108		108
SFCF1-24114		SFCF1-30114		SFCF1-36114		114
SFCF1-24120		SFCF1-30120		SFCF1-36120		120

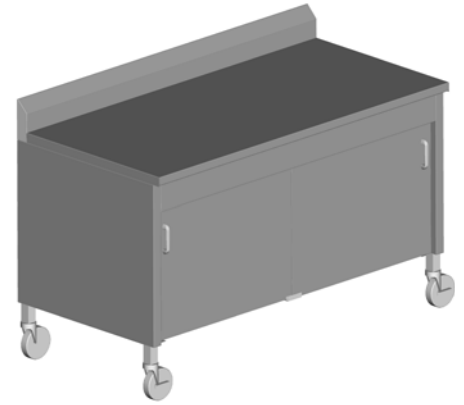
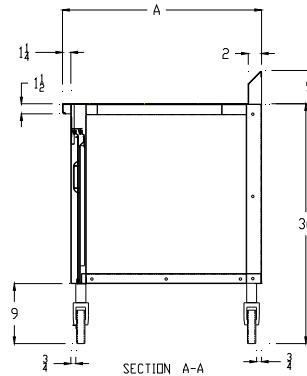
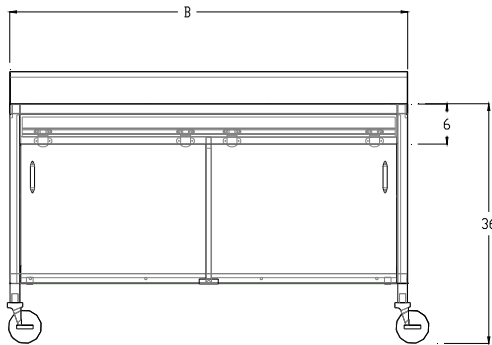
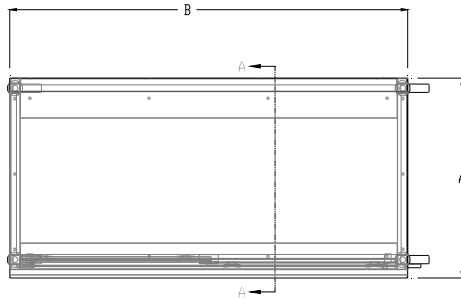
HEAVY DUTY - HFCF1 - SERIES						
24" WIDE	QTY	30" WIDE	QTY	36" WIDE	QTY	LENGTH (INCHES)
HFCF1-2424		HFCF1-3024		HFCF1-3624		24
HFCF1-2430		HFCF1-3030		HFCF1-3630		30
HFCF1-2436		HFCF1-3036		HFCF1-3636		36
HFCF1-2442		HFCF1-3042		HFCF1-3642		42
HFCF1-2448		HFCF1-3048		HFCF1-3648		48
HFCF1-2454		HFCF1-3054		HFCF1-3654		54
HFCF1-2460		HFCF1-3060		HFCF1-3660		60
HFCF1-2466		HFCF1-3066		HFCF1-3666		66
HFCF1-2472		HFCF1-3072		HFCF1-3672		72
HFCF1-2478		HFCF1-3078		HFCF1-3678		78
HFCF1-2484		HFCF1-3084		HFCF1-3684		84
HFCF1-2490		HFCF1-3090		HFCF1-3690		90
HFCF1-2496		HFCF1-3096		HFCF1-3696		96
HFCF1-24102		HFCF1-30102		HFCF1-36102		102
HFCF1-24108		HFCF1-30108		HFCF1-36108		108
HFCF1-24114		HFCF1-30114		HFCF1-36114		114
HFCF1-24120		HFCF1-30120		HFCF1-36120		120

STAINLESS STEEL WORKTABLES FCF1-SERIES— FLAT TOP FULLY ENCLOSED WORKTABLE W/ BACKSPLASH UNDERSHELF AND CASTERS

PROJECT#: _____

ITEM# _____

MODEL# _____



◆ Tables At or Above 78" Will Require (3) Sets of Legs.

A WIDTH	B LENGTH	EFCF1 - SERIES 16 GA. 400 SERIES S/S TOP & 18 GA. 400 SERIES S/S UNDERSHELF	SFCF1 - SERIES 16 GA. 300 SERIES S/S TOP & 18 GA. 300 SERIES S/S UNDERSHELF	HFCF1 - SERIES 14 GA. 300 SERIES S/S TOP & 16 GA. 300 SERIES S/S UNDERSHELF	#Of Legs	Product Weight (lbs)
24" WIDE						
24	24	EFCF1-2424	SFCF1-2424	HFCF1-2424	4	96
24	30	EFCF1-2430	SFCF1-2430	HFCF1-2430	4	118
24	36	EFCF1-2436	SFCF1-2436	HFCF1-2436	4	139
24	48	EFCF1-2448	SFCF1-2448	HFCF1-2448	4	166
24	60	EFCF1-2460	SFCF1-2460	HFCF1-2460	4	194
24	72	EFCF1-2472	SFCF1-2472	HFCF1-2472	4	222
24	84	EFCF1-2484	SFCF1-2484	HFCF1-2484	6	249
24	96	EFCF1-2496	SFCF1-2496	HFCF1-2496	6	277
24	108	EFCF1-24108	SFCF1-24108	HFCF1-24108	6	304
24	120	EFCF1-24120	SFCF1-24120	HFCF1-24120	6	332
30" WIDE						
30	24	EFCF1-3024	SFCF1-3024	HFCF1-3024	4	89
30	30	EFCF1-3030	SFCF1-3030	HFCF1-3030	4	113
30	36	EFCF1-3036	SFCF1-3036	HFCF1-3036	4	136
30	48	EFCF1-3048	SFCF1-3048	HFCF1-3048	4	165
30	60	EFCF1-3060	SFCF1-3060	HFCF1-3060	4	195
30	72	EFCF1-3072	SFCF1-3072	HFCF1-3072	4	225
30	84	EFCF1-3084	SFCF1-3084	HFCF1-3084	6	254
30	96	EFCF1-3096	SFCF1-3096	HFCF1-3096	6	284
30	108	EFCF1-30108	SFCF1-30108	HFCF1-30108	6	313
30	120	EFCF1-30120	SFCF1-30120	HFCF1-30120	6	343
36" WIDE						
36	24	EFCF1-3624	SFCF1-3624	HFCF1-3624	4	114
36	30	EFCF1-3630	SFCF1-3630	HFCF1-3630	4	141
36	36	EFCF1-3636	SFCF1-3636	HFCF1-3636	4	167
36	48	EFCF1-3648	SFCF1-3648	HFCF1-3648	4	199
36	60	EFCF1-3660	SFCF1-3660	HFCF1-3660	4	232
36	72	EFCF1-3672	SFCF1-3672	HFCF1-3672	4	265
36	84	EFCF1-3684	SFCF1-3684	HFCF1-3684	6	297
36	96	EFCF1-3696	SFCF1-3696	HFCF1-3696	6	330
36	108	EFCF1-36108	SFCF1-36108	HFCF1-36108	6	362
36	120	EFCF1-36120	SFCF1-36120	HFCF1-36120	6	395