



STAINLESS STEEL WORKTABLES CF-SERIES— FLAT TOP OPEN BASE WORKTABLE

PROJECT#: _____

ITEM# _____

MODEL# _____

SPECIFICATIONS:

ECONOMY— ECF-Series: 400 Series Stainless Top

- TOP:** 16 GA.
400 Series Stainless
- CROSS BRACING:** 1" Diameter
Tubular Stainless Steel
- LEGS:** 1 5/8" Diameter
Tubular Stainless Steel
- REINFORCING:** Formed Channel Fastened to
Top. Legs Welded to Channel

STANDARD— SCF-Series: 300 Series Stainless Top

- TOP:** 16 GA.
300 Series Stainless
- CROSS BRACING:** 1" Diameter
Tubular Stainless Steel
- LEGS:** 1 5/8" Diameter
Tubular Stainless Steel
- REINFORCING:** Formed Channel Fastened to
Top. Legs Welded to Channel

HEAVY DUTY— HCF-Series: 300 Series Stainless Top

- TOP:** 14 GA.
300 Series Stainless
- CROSS BRACING:** 1" Diameter
Tubular Stainless Steel
- LEGS:** 1 5/8" Diameter
Tubular Stainless Steel
- REINFORCING:** Formed Channel Fastened to
Top. Legs Welded to Channel

CONSTRUCTION:

- ◆ All Table Connection Points Fully Welded for Maximum Rigidity and Long Life
- ◆ S/S Adjustable Bullet Feet
- ◆ Sound Deadening Between Top and Reinforcing Channel
- ◆ S/S Cross Bracing Welded to Legs
- ◆ Table is Polished to #3 Finish
- ◆ Working Height 35" to 36 1/4"

ECONOMY - ECF - SERIES						
24" WIDE	QTY	30" WIDE	QTY	36" WIDE	QTY	LENGTH (INCHES)
ECF-2424		ECF-3024		ECF-3624		24
ECF-2430		ECF-3030		ECF-3630		30
ECF-2436		ECF-3036		ECF-3636		36
ECF-2442		ECF-3042		ECF-3642		42
ECF-2448		ECF-3048		ECF-3648		48
ECF-2454		ECF-3054		ECF-3654		54
ECF-2460		ECF-3060		ECF-3660		60
ECF-2466		ECF-3066		ECF-3666		66
ECF-2472		ECF-3072		ECF-3672		72
ECF-2478		ECF-3078		ECF-3678		78
ECF-2484		ECF-3084		ECF-3684		84
ECF-2490		ECF-3090		ECF-3690		90
ECF-2496		ECF-3096		ECF-3696		96
ECF-24102		ECF-30102		ECF-36102		102
ECF-24108		ECF-30108		ECF-36108		108
ECF-24114		ECF-30114		ECF-36114		114
ECF-24120		ECF-30120		ECF-36120		120

STANDARD - SCF - SERIES						
24" WIDE	QTY	30" WIDE	QTY	36" WIDE	QTY	LENGTH (INCHES)
SCF-2424		SCF-3024		SCF-3624		24
SCF-2430		SCF-3030		SCF-3630		30
SCF-2436		SCF-3036		SCF-3636		36
SCF-2442		SCF-3042		SCF-3642		42
SCF-2448		SCF-3048		SCF-3648		48
SCF-2454		SCF-3054		SCF-3654		54
SCF-2460		SCF-3060		SCF-3660		60
SCF-2466		SCF-3066		SCF-3666		66
SCF-2472		SCF-3072		SCF-3672		72
SCF-2478		SCF-3078		SCF-3678		78
SCF-2484		SCF-3084		SCF-3684		84
SCF-2490		SCF-3090		SCF-3690		90
SCF-2496		SCF-3096		SCF-3696		96
SCF-24102		SCF-30102		SCF-36102		102
SCF-24108		SCF-30108		SCF-36108		108
SCF-24114		SCF-30114		SCF-36114		114
SCF-24120		SCF-30120		SCF-36120		120

HEAVY DUTY - HCF - SERIES						
24" WIDE	QTY	30" WIDE	QTY	36" WIDE	QTY	LENGTH (INCHES)
HCF-2424		HCF-3024		HCF-3624		24
HCF-2430		HCF-3030		HCF-3630		30
HCF-2436		HCF-3036		HCF-3636		36
HCF-2442		HCF-3042		HCF-3642		42
HCF-2448		HCF-3048		HCF-3648		48
HCF-2454		HCF-3054		HCF-3654		54
HCF-2460		HCF-3060		HCF-3660		60
HCF-2466		HCF-3066		HCF-3666		66
HCF-2472		HCF-3072		HCF-3672		72
HCF-2478		HCF-3078		HCF-3678		78
HCF-2484		HCF-3084		HCF-3684		84
HCF-2490		HCF-3090		HCF-3690		90
HCF-2496		HCF-3096		HCF-3696		96
HCF-24102		HCF-30102		HCF-36102		102
HCF-24108		HCF-30108		HCF-36108		108
HCF-24114		HCF-30114		HCF-36114		114
HCF-24120		HCF-30120		HCF-36120		120



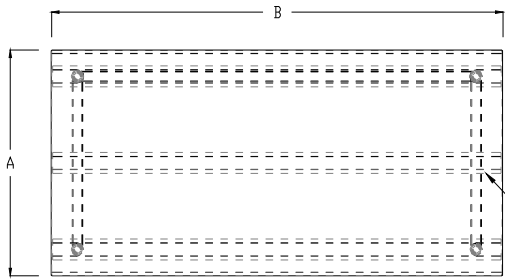
- Amtekco Industries - Columbus, OH —Phone: (800) 336-4677
- N. Wasserstrom & Sons - Columbus, OH —Phone: (800) 444-4697
- DCS IV - Peoria, AZ—Phone: (800) 592-3274
- GEN III - Fountain Inn, SC—Phone: (800)673-3339
- GKS - Garland, TX—Phone (972) 485-4579

STAINLESS STEEL WORKTABLES CF-SERIES— FLAT TOP OPEN BASE WORKTABLE

PROJECT#: _____

ITEM# _____

MODEL# _____

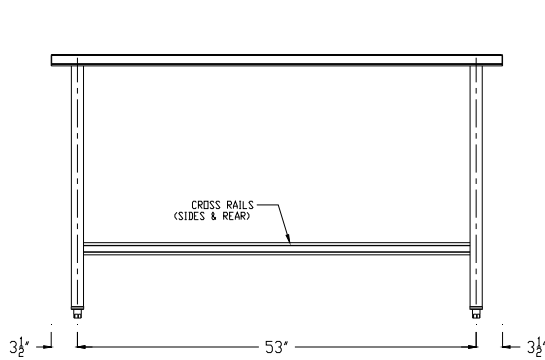


PLAN VIEW

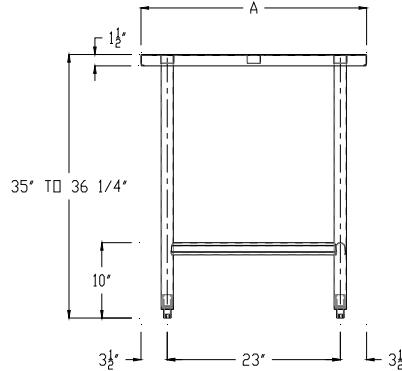
THIRD REINFORCING CHANNEL
APPLIED ON TABLES 30" OR
WIDER



- ◆ 35" Working Height is with Adj. Bullet Feet in Shortest Position
- ◆ Tables At or Above 78" Will Require (3) Sets of Legs.



ELEVATION



SIDE VIEW

A WIDTH	B LENGTH	ECF - SERIES 16 GA. 400 SERIES S/S TOP & 18 GA. 400 SERIES S/S UNDERSHELF	SCF - SERIES 16 GA. 300 SERIES S/S TOP & 18 GA. 300 SERIES S/S UNDERSHELF	HCF - SERIES 14 GA. 300 SERIES S/S TOP & 16 GA. 300 SERIES S/S UNDERSHELF	#Of Legs	Product Weight (lbs)
24" WIDE						
24	24	ECF-2424	SCF-2424	HCF-2424	4	40
24	30	ECF-2430	SCF-2430	HCF-2430	4	43
24	36	ECF-2436	SCF-2436	HCF-2436	4	47
24	48	ECF-2448	SCF-2448	HCF-2448	4	58
24	60	ECF-2460	SCF-2460	HCF-2460	4	68
24	72	ECF-2472	SCF-2472	HCF-2472	4	78
24	84	ECF-2484	SCF-2484	HCF-2484	6	90
24	96	ECF-2496	SCF-2496	HCF-2496	6	110
24	108	ECF-24108	SCF-24108	HCF-24108	6	126
24	120	ECF-24120	SCF-24120	HCF-24120	6	143
30" WIDE						
30	24	ECF-3024	SCF-3024	HCF-3024	4	43
30	30	ECF-3030	SCF-3030	HCF-3030	4	47
30	36	ECF-3036	SCF-3036	HCF-3036	4	49
30	48	ECF-3048	SCF-3048	HCF-3048	4	65
30	60	ECF-3060	SCF-3060	HCF-3060	4	76
30	72	ECF-3072	SCF-3072	HCF-3072	4	88
30	84	ECF-3084	SCF-3084	HCF-3084	6	101
30	96	ECF-3096	SCF-3096	HCF-3096	6	121
30	108	ECF-30108	SCF-30108	HCF-30108	6	141
30	120	ECF-30120	SCF-30120	HCF-30120	6	160
36" WIDE						
36	24	ECF-3624	SCF-3624	HCF-3624	4	45
36	30	ECF-3630	SCF-3630	HCF-3630	4	53
36	36	ECF-3636	SCF-3636	HCF-3636	4	61
36	48	ECF-3648	SCF-3648	HCF-3648	4	72
36	60	ECF-3660	SCF-3660	HCF-3660	4	84
36	72	ECF-3672	SCF-3672	HCF-3672	4	100
36	84	ECF-3684	SCF-3684	HCF-3684	6	116
36	96	ECF-3696	SCF-3696	HCF-3696	6	135
36	108	ECF-36108	SCF-36108	HCF-36108	6	160
36	120	ECF-36120	SCF-36120	HCF-36120	6	183