

STAINLESS STEEL WORKTABLES

CF2-SERIES— OPEN BASE WORKTABLE W/ BACKSPLASH

PROJECT#: _____

ITEM# _____

MODEL# _____

SPECIFICATIONS:

ECONOMY— ECF2-Series: 400 Series Stainless Top

TOP: 16 GA.
400 Series Stainless

CROSS BRACING: 1" Diameter
Tubular Stainless Steel

LEGS: 1 5/8" Diameter
Tubular Stainless Steel

REINFORCING: Formed Channel Fastened to
Top. Legs Welded to Channel

STANDARD— SCF2-Series: 300 Series Stainless Top

TOP: 16 GA.
300 Series Stainless

CROSS BRACING: 1" Diameter
Tubular Stainless Steel

LEGS: 1 5/8" Diameter
Tubular Stainless Steel

REINFORCING: Formed Channel Fastened to
Top. Legs Welded to Channel

HEAVY DUTY— HCF2-Series: 300 Series Stainless Top

TOP: 14 GA.
300 Series Stainless

CROSS BRACING: 1" Diameter
Tubular Stainless Steel

LEGS: 1 5/8" Diameter
Tubular Stainless Steel

REINFORCING: Formed Channel Fastened to
Top. Legs Welded to Channel

CONSTRUCTION:

- ◆ All Table Connection Points Fully Welded for Maximum Rigidity and Long Life
- ◆ S/S Adjustable Bullet Feet
- ◆ Sound Deadening Between Top and Reinforcing Channel
- ◆ S/S Cross Bracing Welded to Legs
- ◆ Table is Polished to #3 Finish
- ◆ Working Height 35" to 36 1/4"

ECONOMY - ECF2 - SERIES						
24" WIDE	QTY	30" WIDE	QTY	36" WIDE	QTY	LENGTH (INCHES)
ECF2-2424		ECF2-3024		ECF2-3624		24
ECF2-2430		ECF2-3030		ECF2-3630		30
ECF2-2436		ECF2-3036		ECF2-3636		36
ECF2-2442		ECF2-3042		ECF2-3642		42
ECF2-2448		ECF2-3048		ECF2-3648		48
ECF2-2454		ECF2-3054		ECF2-3654		54
ECF2-2460		ECF2-3060		ECF2-3660		60
ECF2-2466		ECF2-3066		ECF2-3666		66
ECF2-2472		ECF2-3072		ECF2-3672		72
ECF2-2478		ECF2-3078		ECF2-3678		78
ECF2-2484		ECF2-3084		ECF2-3684		84
ECF2-2490		ECF2-3090		ECF2-3690		90
ECF2-2496		ECF2-3096		ECF2-3696		96
ECF2-24102		ECF2-30102		ECF2-36102		102
ECF2-24108		ECF2-30108		ECF2-36108		108
ECF2-24114		ECF2-30114		ECF2-36114		114
ECF2-24120		ECF2-30120		ECF2-36120		120

STANDARD - SCF2 - SERIES						
24" WIDE	QTY	30" WIDE	QTY	36" WIDE	QTY	LENGTH (INCHES)
SCF2-2424		SCF2-3024		SCF2-3624		24
SCF2-2430		SCF2-3030		SCF2-3630		30
SCF2-2436		SCF2-3036		SCF2-3636		36
SCF2-2442		SCF2-3042		SCF2-3642		42
SCF2-2448		SCF2-3048		SCF2-3648		48
SCF2-2454		SCF2-3054		SCF2-3654		54
SCF2-2460		SCF2-3060		SCF2-3660		60
SCF2-2466		SCF2-3066		SCF2-3666		66
SCF2-2472		SCF2-3072		SCF2-3672		72
SCF2-2478		SCF2-3078		SCF2-3678		78
SCF2-2484		SCF2-3084		SCF2-3684		84
SCF2-2490		SCF2-3090		SCF2-3690		90
SCF2-2496		SCF2-3096		SCF2-3696		96
SCF2-24102		SCF2-30102		SCF2-36102		102
SCF2-24108		SCF2-30108		SCF2-36108		108
SCF2-24114		SCF2-30114		SCF2-36114		114
SCF2-24120		SCF2-30120		SCF2-36120		120

HEAVY DUTY - HCF2 - SERIES						
24" WIDE	QTY	30" WIDE	QTY	36" WIDE	QTY	LENGTH (INCHES)
HCF2-2424		HCF2-3024		HCF2-3624		24
HCF2-2430		HCF2-3030		HCF2-3630		30
HCF2-2436		HCF2-3036		HCF2-3636		36
HCF2-2442		HCF2-3042		HCF2-3642		42
HCF2-2448		HCF2-3048		HCF2-3648		48
HCF2-2454		HCF2-3054		HCF2-3654		54
HCF2-2460		HCF2-3060		HCF2-3660		60
HCF2-2466		HCF2-3066		HCF2-3666		66
HCF2-2472		HCF2-3072		HCF2-3672		72
HCF2-2478		HCF2-3078		HCF2-3678		78
HCF2-2484		HCF2-3084		HCF2-3684		84
HCF2-2490		HCF2-3090		HCF2-3690		90
HCF2-2496		HCF2-3096		HCF2-3696		96
HCF2-24102		HCF2-30102		HCF2-36102		102
HCF2-24108		HCF2-30108		HCF2-36108		108
HCF2-24114		HCF2-30114		HCF2-36114		114
HCF2-24120		HCF2-30120		HCF2-36120		120



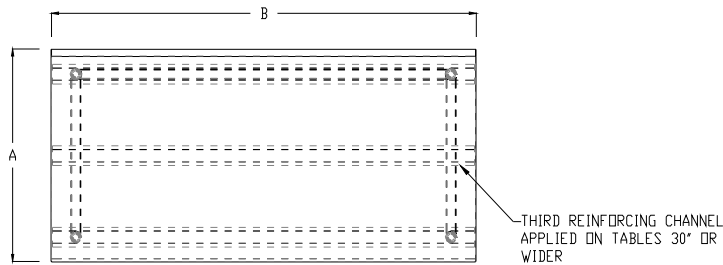
- Amtekco Industries - Columbus, OH —Phone: (800) 336-4677
- N. Wasserstrom & Sons - Columbus, OH —Phone: (800) 444-4697
- DCS IV - Peoria, AZ—Phone: (800) 592-3274
- GEN III - Fountain Inn, SC—Phone: (800)673-3339
- GKS - Garland, TX—Phone (972) 485-4579

STAINLESS STEEL WORKTABLES CF2-SERIES— OPEN BASE WORKTABLE W/ BACKSPLASH

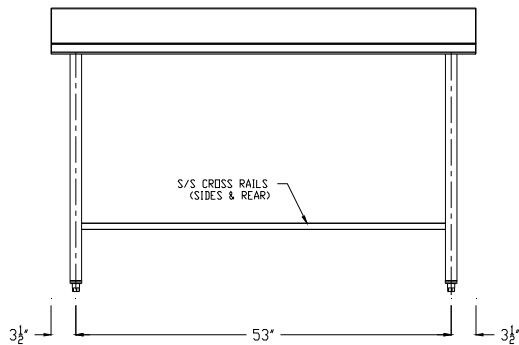
PROJECT#: _____

ITEM# _____

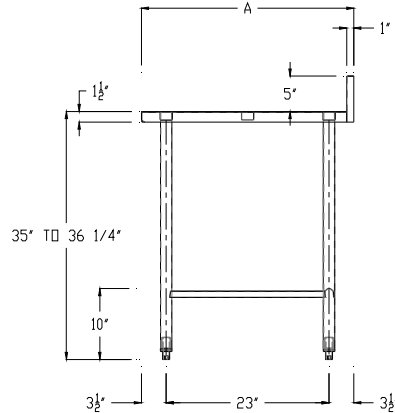
MODEL# _____



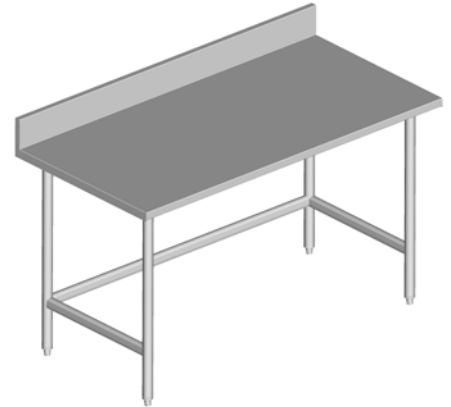
PLAN VIEW



ELEVATION



SIDE VIEW



- ◆ 35" Working Height is with Adj. Bullet Feet in Shortest Position
- ◆ Tables At or Above 78" Will Require (3) Sets of Legs.

A WIDTH	B LENGTH	ECF2 - SERIES 16 GA. 400 SERIES S/S TOP & 18 GA. 400 SERIES S/S UNDERSHELF	SCF2 - SERIES 16 GA. 300 SERIES S/S TOP & 18 GA. 300 SERIES S/S UNDERSHELF	HCF2 - SERIES 14 GA. 300 SERIES S/S TOP & 16 GA. 300 SERIES S/S UNDERSHELF	#Of Legs	Product Weight (lbs)
24" WIDE						
24	24	ECF2-2424	SCF2-2424	HCF2-2424	4	40
24	30	ECF2-2430	SCF2-2430	HCF2-2430	4	43
24	36	ECF2-2436	SCF2-2436	HCF2-2436	4	47
24	48	ECF2-2448	SCF2-2448	HCF2-2448	4	58
24	60	ECF2-2460	SCF2-2460	HCF2-2460	4	68
24	72	ECF2-2472	SCF2-2472	HCF2-2472	4	78
24	84	ECF2-2484	SCF2-2484	HCF2-2484	6	90
24	96	ECF2-2496	SCF2-2496	HCF2-2496	6	110
24	108	ECF2-24108	SCF2-24108	HCF2-24108	6	126
24	120	ECF2-24120	SCF2-24120	HCF2-24120	6	143
30" WIDE						
30	24	ECF2-3024	SCF2-3024	HCF2-3024	4	43
30	30	ECF2-3030	SCF2-3030	HCF2-3030	4	47
30	36	ECF2-3036	SCF2-3036	HCF2-3036	4	49
30	48	ECF2-3048	SCF2-3048	HCF2-3048	4	65
30	60	ECF2-3060	SCF2-3060	HCF2-3060	4	76
30	72	ECF2-3072	SCF2-3072	HCF2-3072	4	88
30	84	ECF2-3084	SCF2-3084	HCF2-3084	6	101
30	96	ECF2-3096	SCF2-3096	HCF2-3096	6	121
30	108	ECF2-30108	SCF2-30108	HCF2-30108	6	141
30	120	ECF2-30120	SCF2-30120	HCF2-30120	6	160
36" WIDE						
36	24	ECF2-3624	SCF2-3624	HCF2-3624	4	45
36	30	ECF2-3630	SCF2-3630	HCF2-3630	4	53
36	36	ECF2-3636	SCF2-3636	HCF2-3636	4	61
36	48	ECF2-3648	SCF2-3648	HCF2-3648	4	72
36	60	ECF2-3660	SCF2-3660	HCF2-3660	4	84
36	72	ECF2-3672	SCF2-3672	HCF2-3672	4	100
36	84	ECF2-3684	SCF2-3684	HCF2-3684	6	116
36	96	ECF2-3696	SCF2-3696	HCF2-3696	6	135
36	108	ECF2-36108	SCF2-36108	HCF2-36108	6	160
36	120	ECF2-36120	SCF2-36120	HCF2-36120	6	183