

SPECIFICATIONS:

ECONOMY— ECF1-Series: 400 Series Stainless Top

- TOP:** 16 GA.
400 Series Stainless
- CROSS BRACING:** 1" Diameter
Tubular Stainless Steel
- LEGS:** 1 5/8" Diameter
Tubular Stainless Steel
- REINFORCING:** Formed Channel Fastened to
Top. Legs Welded to Channel

STANDARD— SCF1-Series: 300 Series Stainless Top

- TOP:** 16 GA.
300 Series Stainless
- CROSS BRACING:** 1" Diameter
Tubular Stainless Steel
- LEGS:** 1 5/8" Diameter
Tubular Stainless Steel
- REINFORCING:** Formed Channel Fastened to
Top. Legs Welded to Channel

HEAVY DUTY— HCF1-Series: 300 Series Stainless Top

- TOP:** 14 GA.
300 Series Stainless
- CROSS BRACING:** 1" Diameter
Tubular Stainless Steel
- LEGS:** 1 5/8" Diameter
Tubular Stainless Steel
- REINFORCING:** Formed Channel Fastened to
Top. Legs Welded to Channel

CONSTRUCTION:

- ◆ All Table Connection Points Fully Welded for Maximum Rigidity and Long Life
- ◆ S/S Adjustable Bullet Feet
- ◆ Sound Deadening Between Top and Reinforcing Channel
- ◆ S/S Cross Bracing Welded to Legs
- ◆ Table is Polished to #3 Finish
- ◆ Working Height 35" to 36 1/4"



- Amtekco Industries - Columbus, OH —Phone: (800) 336-4677
- N. Wasserstrom & Sons - Columbus, OH —Phone: (800) 444-4697
- DCS IV - Peoria, AZ—Phone: (800) 592-3274
- GEN III - Fountain Inn, SC—Phone: (800)673-3339
- GKS - Garland, TX—Phone (972) 485-4579

SPECIFICATIONS SUBJECT TO CHANGE WITHOUT NOTICE 01/09

STAINLESS STEEL WORKTABLES

CF1-SERIES— OPEN BASE WORKTABLE W/ BACKSPLASH

PROJECT#: _____

ITEM# _____

MODEL# _____

ECONOMY - ECF1 - SERIES						
24" WIDE	QTY	30" WIDE	QTY	36" WIDE	QTY	LENGTH (INCHES)
ECF1-2424		ECF1-3024		ECF1-3624		24
ECF1-2430		ECF1-3030		ECF1-3630		30
ECF1-2436		ECF1-3036		ECF1-3636		36
ECF1-2442		ECF1-3042		ECF1-3642		42
ECF1-2448		ECF1-3048		ECF1-3648		48
ECF1-2454		ECF1-3054		ECF1-3654		54
ECF1-2460		ECF1-3060		ECF1-3660		60
ECF1-2466		ECF1-3066		ECF1-3666		66
ECF1-2472		ECF1-3072		ECF1-3672		72
ECF1-2478		ECF1-3078		ECF1-3678		78
ECF1-2484		ECF1-3084		ECF1-3684		84
ECF1-2490		ECF1-3090		ECF1-3690		90
ECF1-2496		ECF1-3096		ECF1-3696		96
ECF1-24102		ECF1-30102		ECF1-36102		102
ECF1-24108		ECF1-30108		ECF1-36108		108
ECF1-24114		ECF1-30114		ECF1-36114		114
ECF1-24120		ECF1-30120		ECF1-36120		120

STANDARD - SCF1 - SERIES						
24" WIDE	QTY	30" WIDE	QTY	36" WIDE	QTY	LENGTH (INCHES)
SCF1-2424		SCF1-3024		SCF1-3624		24
SCF1-2430		SCF1-3030		SCF1-3630		30
SCF1-2436		SCF1-3036		SCF1-3636		36
SCF1-2442		SCF1-3042		SCF1-3642		42
SCF1-2448		SCF1-3048		SCF1-3648		48
SCF1-2454		SCF1-3054		SCF1-3654		54
SCF1-2460		SCF1-3060		SCF1-3660		60
SCF1-2466		SCF1-3066		SCF1-3666		66
SCF1-2472		SCF1-3072		SCF1-3672		72
SCF1-2478		SCF1-3078		SCF1-3678		78
SCF1-2484		SCF1-3084		SCF1-3684		84
SCF1-2490		SCF1-3090		SCF1-3690		90
SCF1-2496		SCF1-3096		SCF1-3696		96
SCF1-24102		SCF1-30102		SCF1-36102		102
SCF1-24108		SCF1-30108		SCF1-36108		108
SCF1-24114		SCF1-30114		SCF1-36114		114
SCF1-24120		SCF1-30120		SCF1-36120		120

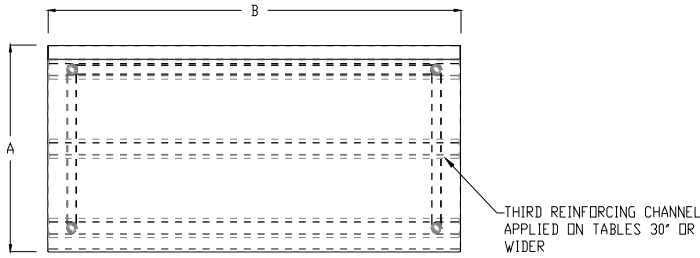
HEAVY DUTY - HCF1 - SERIES						
24" WIDE	QTY	30" WIDE	QTY	36" WIDE	QTY	LENGTH (INCHES)
HCF1-2424		HCF1-3024		HCF1-3624		24
HCF1-2430		HCF1-3030		HCF1-3630		30
HCF1-2436		HCF1-3036		HCF1-3636		36
HCF1-2442		HCF1-3042		HCF1-3642		42
HCF1-2448		HCF1-3048		HCF1-3648		48
HCF1-2454		HCF1-3054		HCF1-3654		54
HCF1-2460		HCF1-3060		HCF1-3660		60
HCF1-2466		HCF1-3066		HCF1-3666		66
HCF1-2472		HCF1-3072		HCF1-3672		72
HCF1-2478		HCF1-3078		HCF1-3678		78
HCF1-2484		HCF1-3084		HCF1-3684		84
HCF1-2490		HCF1-3090		HCF1-3690		90
HCF1-2496		HCF1-3096		HCF1-3696		96
HCF1-24102		HCF1-30102		HCF1-36102		102
HCF1-24108		HCF1-30108		HCF1-36108		108
HCF1-24114		HCF1-30114		HCF1-36114		114
HCF1-24120		HCF1-30120		HCF1-36120		120

STAINLESS STEEL WORKTABLES CF1-SERIES— OPEN BASE WORKTABLE W/ BACKSPLASH

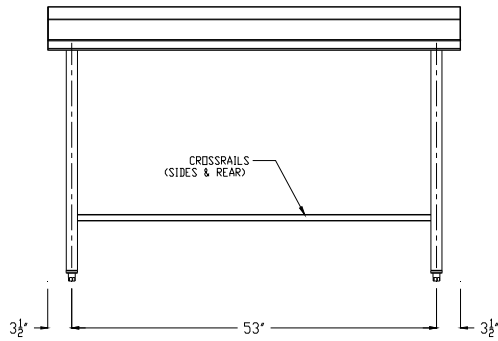
PROJECT#: _____

ITEM# _____

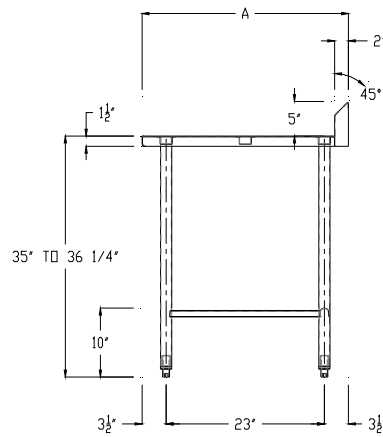
MODEL# _____



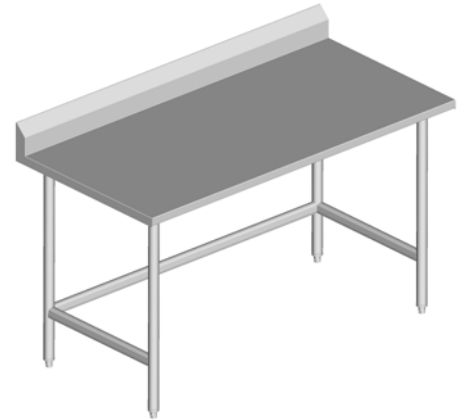
PLAN VIEW



ELEVATION



SIDE VIEW



- ◆ 35" Working Height is with Adj. Bullet Feet in Shortest Position
- ◆ Tables At or Above 78" Will Require (3) Sets of Legs.

A WIDTH	B LENGTH	ECF1 - SERIES 16 GA. 400 SERIES S/S TOP & 18 GA. 400 SERIES S/S UNDERSHELF	SCF1 - SERIES 16 GA. 300 SERIES S/S TOP & 18 GA. 300 SERIES S/S UNDERSHELF	HCF1 - SERIES 14 GA. 300 SERIES S/S TOP & 16 GA. 300 SERIES S/S UNDERSHELF	#Of Legs	Product Weight (lbs)
24" WIDE						
24	24	ECF1-2424	SCF1-2424	HCF1-2424	4	40
24	30	ECF1-2430	SCF1-2430	HCF1-2430	4	43
24	36	ECF1-2436	SCF1-2436	HCF1-2436	4	47
24	48	ECF1-2448	SCF1-2448	HCF1-2448	4	58
24	60	ECF1-2460	SCF1-2460	HCF1-2460	4	68
24	72	ECF1-2472	SCF1-2472	HCF1-2472	4	78
24	84	ECF1-2484	SCF1-2484	HCF1-2484	6	90
24	96	ECF1-2496	SCF1-2496	HCF1-2496	6	110
24	108	ECF1-24108	SCF1-24108	HCF1-24108	6	126
24	120	ECF1-24120	SCF1-24120	HCF1-24120	6	143
30" WIDE						
30	24	ECF1-3024	SCF1-3024	HCF1-3024	4	43
30	30	ECF1-3030	SCF1-3030	HCF1-3030	4	47
30	36	ECF1-3036	SCF1-3036	HCF1-3036	4	49
30	48	ECF1-3048	SCF1-3048	HCF1-3048	4	65
30	60	ECF1-3060	SCF1-3060	HCF1-3060	4	76
30	72	ECF1-3072	SCF1-3072	HCF1-3072	4	88
30	84	ECF1-3084	SCF1-3084	HCF1-3084	6	101
30	96	ECF1-3096	SCF1-3096	HCF1-3096	6	121
30	108	ECF1-30108	SCF1-30108	HCF1-30108	6	141
30	120	ECF1-30120	SCF1-30120	HCF1-30120	6	160
36" WIDE						
36	24	ECF1-3624	SCF1-3624	HCF1-3624	4	45
36	30	ECF1-3630	SCF1-3630	HCF1-3630	4	53
36	36	ECF1-3636	SCF1-3636	HCF1-3636	4	61
36	48	ECF1-3648	SCF1-3648	HCF1-3648	4	72
36	60	ECF1-3660	SCF1-3660	HCF1-3660	4	84
36	72	ECF1-3672	SCF1-3672	HCF1-3672	4	100
36	84	ECF1-3684	SCF1-3684	HCF1-3684	6	116
36	96	ECF1-3696	SCF1-3696	HCF1-3696	6	135
36	108	ECF1-36108	SCF1-36108	HCF1-36108	6	160
36	120	ECF1-36120	SCF1-36120	HCF1-36120	6	183