

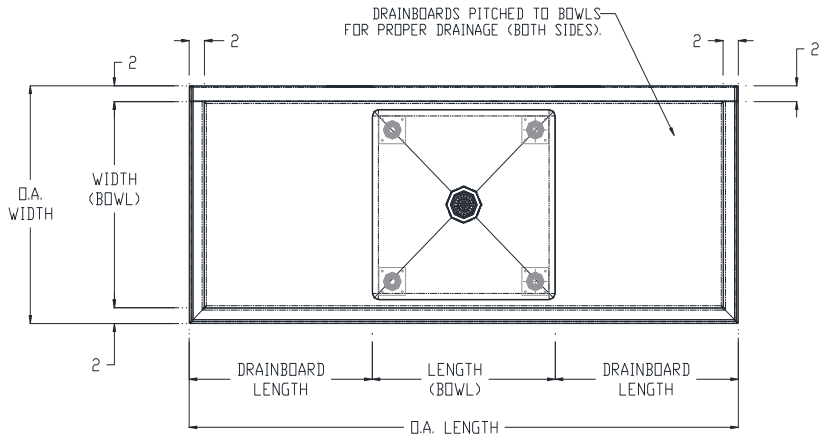


## ONE COMPARTMENT SINKS W/ TWO DRAINBOARDS

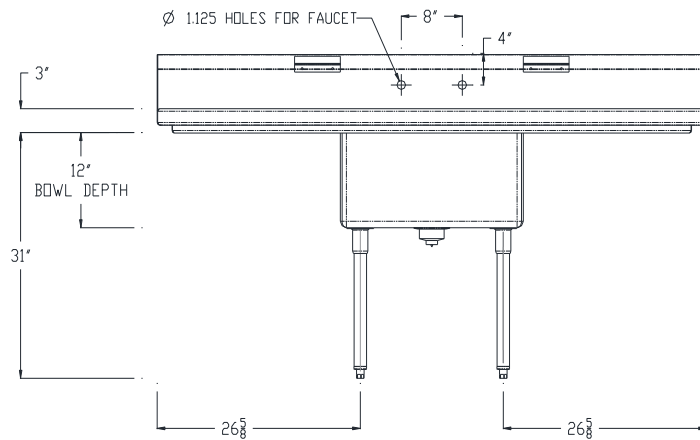
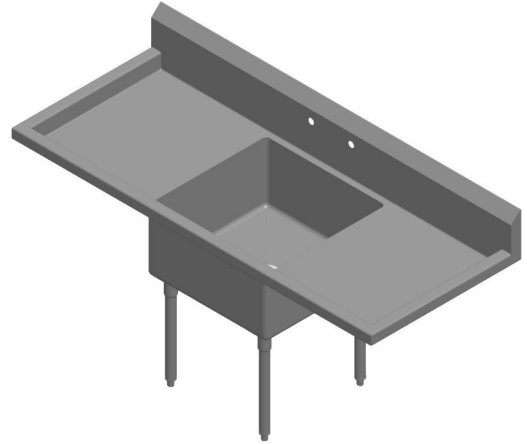
PROJECT#: \_\_\_\_\_

ITEM# \_\_\_\_\_

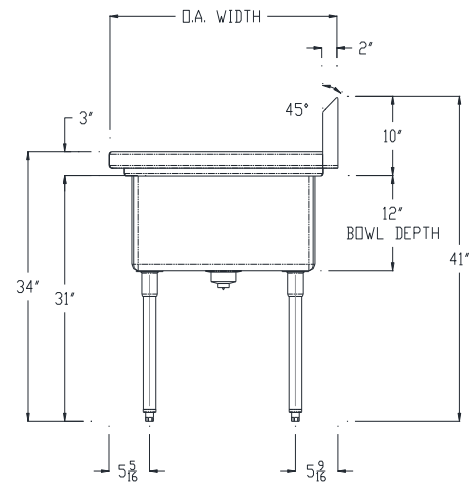
MODEL# \_\_\_\_\_



PLAN



ELEVATION



SECTION A-A

ONE COMPARTMENT SINKS W/ TWO DRAINBOARDS								
MODEL#	QTY	PRODUCT DIMENSIONS (INCHES)						SHIPPING WEIGHT (LBS)
		LENGTH (BOWL)	WIDTH (BOWL)	DRAINBOARD LENGTH	O.A. LENGTH	O.A. WIDTH	OVERALL HEIGHT	
C-1-1618-18D		16"	18"	18"	52"	24"	41"	93
C-1-1618-24D		16"	18"	24"	64"	24"	41"	101
C-1-1818-18D		18"	18"	18"	54"	24"	41"	95
C-1-1824-18D		18"	24"	18"	54"	30"	41"	103
C-1-1824-24D		18"	24"	24"	66"	30"	41"	109
C-1-2424-18D		24"	24"	18"	60"	30"	41"	115
C-1-2424-24D		24"	24"	24"	72"	30"	41"	127
C-1-3024-24D		30"	24"	24"	78"	30"	41"	145

### SINK SPECIFICATIONS:

**TOP:** 16 GA. 300 Series Stainless Steel

**SINK BOWLS:** 16 GA. 300 Series Stainless Steel

**LEGS:** 1 5/8" Diameter Stainless Steel Tubing

### CONSTRUCTION:

- ◆ Fully welded, Seamless, Polished to #4 Finish
- ◆ Euro Edge
- ◆ S/S Adjustable Bullet Feet
- ◆ Crumb Cup Drain 1 1/2" IPS
- ◆ 8" On Center Faucet Holes
- ◆ Ships with (2) Wall Mount "Z" Clips
- ◆ Integral 10" Tall Backsplash