

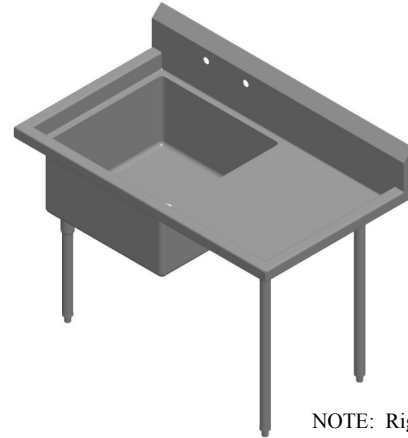
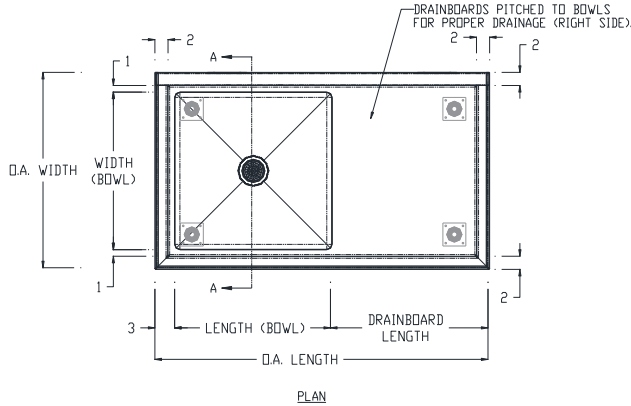


ONE COMPARTMENT SINKS W/ ONE DRAINBOARD

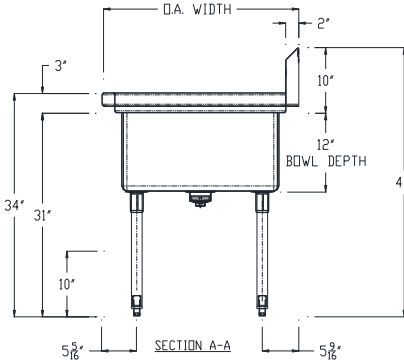
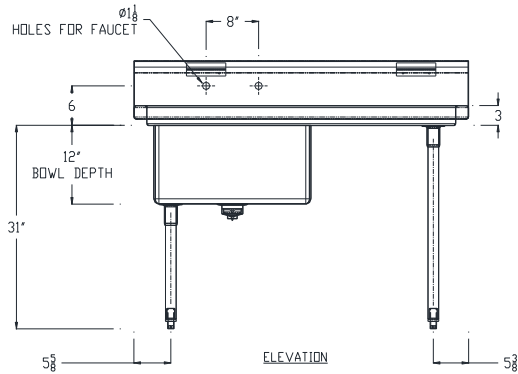
PROJECT#: _____

ITEM# _____

MODEL# _____



NOTE: Right Drainboard Shown



ONE COMPARTMENT SINKS W/ ONE DRAINBOARD							
MODEL#	QTY	PRODUCT DIMENSIONS (INCHES)					
		LENGTH (BOWL)	WIDTH (BOWL)	DRAINBOARD LENGTH	O.A. LENGTH	O.A. WIDTH	OVERALL HEIGHT
C-1-1618-18R		16"	18"	18" ON RIGHT	37"	24"	41"
C-1-1618-18L		16"	18"	18" ON LEFT	37"	24"	41"
C-1-1618-24R		16"	18"	24" ON RIGHT	43"	24"	41"
C-1-1618-24L		16"	18"	24" ON LEFT	43"	24"	41"
C-1-1818-18R		18"	18"	18" ON RIGHT	39"	24"	41"
C-1-1824-18R		18"	24"	18" ON RIGHT	39"	30"	41"
C-1-1824-18L		18"	24"	18" ON LEFT	39"	30"	41"
C-1-1824-24R		18"	24"	24" ON RIGHT	45"	30"	41"
C-1-1824-24L		18"	24"	24" ON LEFT	45"	30"	41"
C-1-2424-18R		24"	24"	18" ON RIGHT	45"	30"	41"
C-1-2424-18L		24"	24"	18" ON LEFT	45"	30"	41"
C-1-2424-24R		24"	24"	24" ON RIGHT	51"	30"	41"
C-1-2424-24L		24"	24"	24" ON LEFT	51"	30"	41"

SINK SPECIFICATIONS:

- TOP:** 16 GA. 300 Series Stainless Steel
- SINK BOWLS:** 16 GA. 300 Series Stainless Steel
- LEGS:** 1 5/8" Diameter Stainless Steel Tubing

CONSTRUCTION:

- ◆ Fully welded, Seamless, Polished to #4 Finish
- ◆ Euro Edge
- ◆ S/S Adjustable Bullet Feet
- ◆ Crumb Cup Drain 1 1/2" IPS
- ◆ 8" On Center Faucet Holes
- ◆ Ships with (2) Wall Mount "Z" Clips
- ◆ Integral 10" Tall Backsplash