

614-737-8850 • 1-877-898-8850

## Refrigerated Make Tables with Raised Rail

### Top:

Constructed of heavy-gauge 300 series stainless steel #3 finish, designed for maximum rigidity and for many years of service.

### Refrigeration:

Wasserstrom exclusive "slim line" unit cooler design is recessed inside the rear refrigerator wall to offer maximum unobstructed storage and facilitate cleaning. The evaporator shroud is constructed of stainless steel for dent and corrosion resistance. The evaporator coil is provided with a thermal expansion valve for quick recovery and the coil is double coated with a special epoxy coating for protection against corrosion caused by food acids and cleaning chemicals. The condensing unit is positioned for easy serviceability and it is provided with an energy-saving hot gas condensate evaporator that saves on electricity. The entire cabinet is foamed-in-place with high-density polyurethane insulation up to 3" thick for maximum energy efficiency.

### Exterior:

Heavy-gauge stainless steel fronts, tops and sides. The rear, bottom and compressor housing are constructed of heavy-gauge galvanized steel.

### Doors:

Fronts and liners are constructed of heavy-gauge stainless steel and foamed-in-place with high-density polyurethane insulation and welded corners. Doors are provided with magnetic gaskets for positive seals and they are fitted with heavy-duty die cast hinges to withstand abuse.

### Tailored to Your Needs:

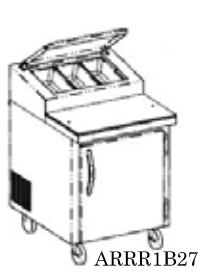
Just one of the benefits of our complete in-house design, fabricating and manufacturing capabilities, is the fact that any of our Refrigerated Prep Tables can be tailored to fit your exact functional needs and interior décor preferences. Just let us know what you want, and our professional design staff will make it a reality.



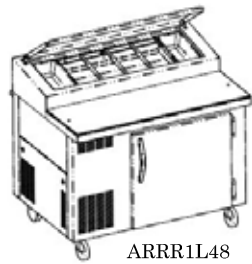
ARRR-Series

### Standard Features:

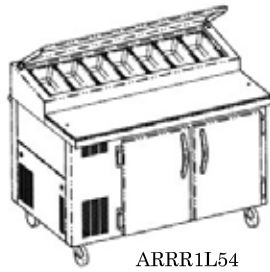
- Hot gas condensate evaporator uses no electricity
- Heavy-duty casters
- Cutting board
- Electronic temperature controller for maximum accuracy with LED display
- Coated evaporator coil for protection against corrosion
- Heavy-duty refrigeration system with expansion valve environmentally friendly R-404a
- 8-foot long electrical cord included



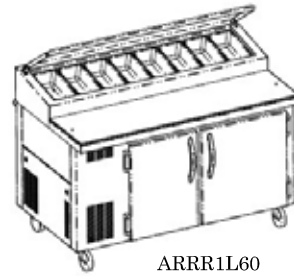
ARRR1B27



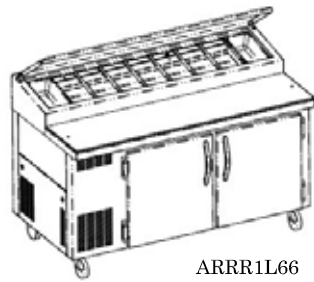
ARRR1L48



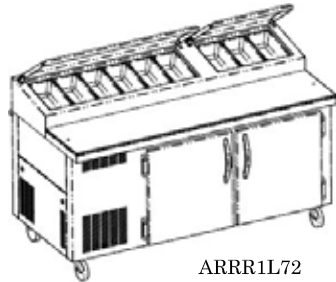
ARRR1L54



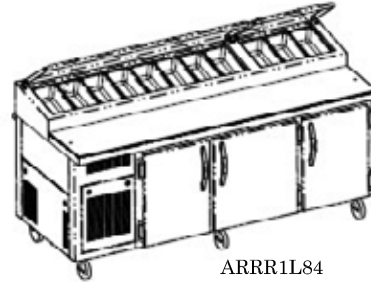
ARRR1L60



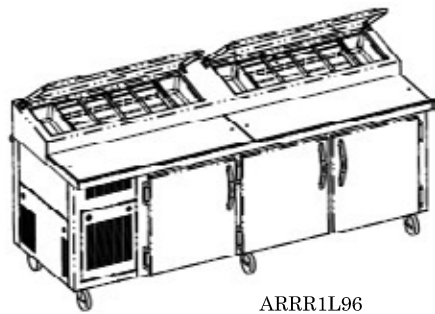
ARRR1L66



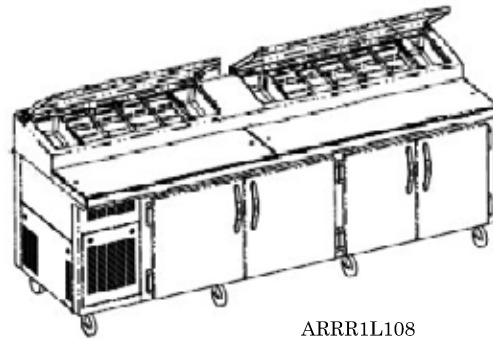
ARRR1L72



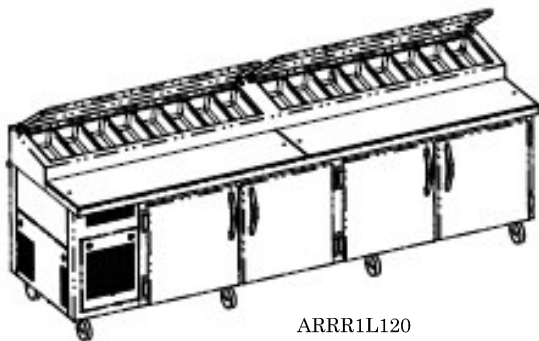
ARRR1L84



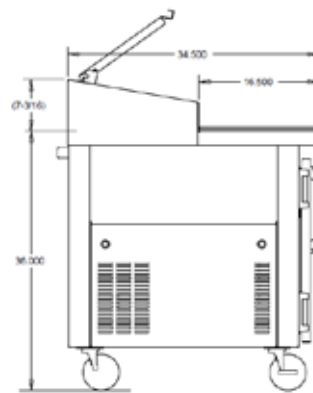
ARRR1L96



ARRR1L108



ARRR1L120



STANDARD PROFILE

DRAWING #	LENGTH	DEPTH	HEIGHT	NUMBER OF DOORS	# OF 1/6 PANS	COMPRESSOR	AMPS	VOLTAGE	SHIP WEIGHT
ARRR1B27	27"	34-1/2"	43-3/16"	1	6	1/2	5.71	115/60/1	395
ARRR1L48	48"	34-1/2"	43-3/16"	1	12	1/2	5.41	115/60/1	468
ARRR1L54	54"	34-1/2"	43-3/16"	2	14	1/2	8.03	115/60/1	506
ARRR1L60	60"	34-1/2"	43-3/16"	2	16	1/2	8.28	115/60/1	542
ARRR1L66	66"	34-1/2"	43-3/16"	2	18	1/2	8.53	115/60/1	610
ARRR1L72	72"	34-1/2"	43-3/16"	2	18	1/2	8.28	115/60/1	643
ARRR1L84	84"	34-1/2"	43-3/16"	3	22	1/2	12.14	115/60/1	718
ARRR1L96	96"	34-1/2"	43-3/16"	3	24	1/2	12.35	115/60/1	797
ARRR1L108	108"	34-1/2"	43-3/16"	4	28	1/2	12.85	115/60/1	872
ARRR1L120	120"	34-1/2"	43-3/16"	4	32	1/2	12.85	115/60/1	975