

NEW

# Receiving Station and Shelving Built to Take a Beating.



Shown is Freestanding Computer  
Receiving Station MCRS-33

# amtekco



A Wasserstrom Company

Manufacturers of Quality Products for the Food Marketing Industry

1205 Refugee Road • Columbus, Ohio 43207  
800-336-4677 or 614-228-6590 • Fax: 614-737-8017  
[www.amtekco.com](http://www.amtekco.com)

# Receiving Station and Shelving Built to Take a Beating.

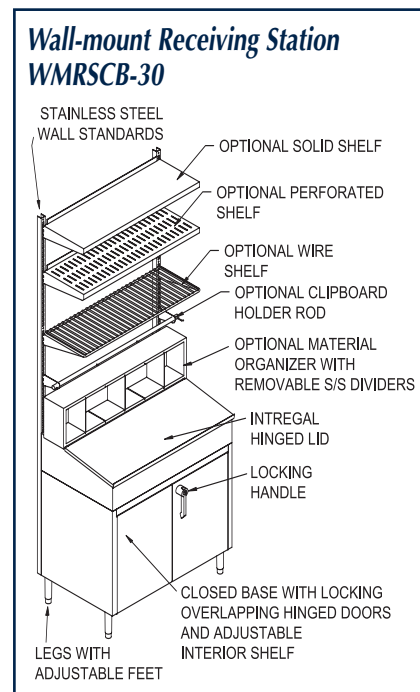
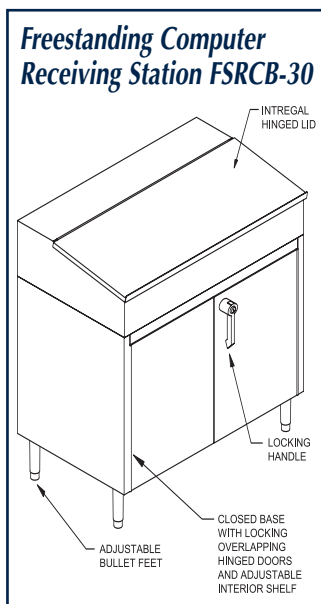
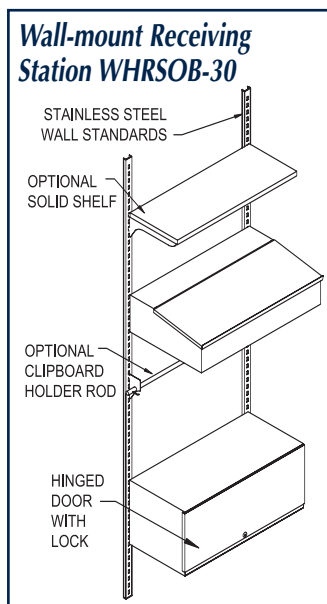
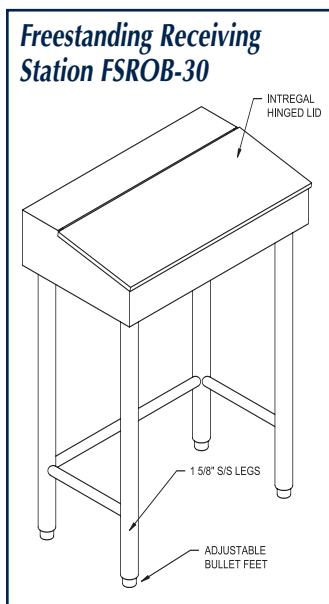
## Features/Benefits:

### Receiving Station

- Durable fully welded stainless steel construction
- Heavy-duty hardware for years of dependable use
- Highly functional and adaptable
- Handy paperwork areas, drawer and cabinet spaces keep the busiest of backrooms organized
- Lift-up door protects and conceals upper paperwork storage area
- Pull-out keyboard and adjustable printer shelf, in addition to cabinet cooling fans and vents, enable convenient and safe PC setup
- 20" centered pull-out printer shelf in cabinet
- Backside grommets allow for easy PC wiring
- Clipboard rod keeps workers from losing clipboards
- 1/2" tall retaining edge on desktop keeps papers in place
- Slanted desktop for ergonomically correct posture
- Quality 5" locking casters allow for easy repositioning
- Front locking drawer
- Radiused desktop edge
- Hinged access doors to cabinet base
- Custom features available

### Shelving:

- Heavy-duty 16 gauge stainless steel construction
- Solid, perforated or wire shelves available
- Adjustable shelf height and angle
- Wall support can be surface-mounted or concealed
- Works perfectly with the receiving station or as a stand-alone shelving unit
- Custom features available



Contact your Amtekco sales representative: 1-800-336-4677

**amtekco**

A Wasserstrom Company

Manufacturers of Quality Products for the Food Marketing Industry